



# OMG-OCUP2-INT200<sup>Q&As</sup>

OMG Certified UML Professional 2 (OCUP 2) - Intermediate Level

**Pass OMG OMG-OCUP2-INT200 Exam with 100% Guarantee**

Free Download Real Questions & Answers **PDF** and **VCE** file from:

<https://www.pass4itsure.com/omg-ocup2-int200.html>

100% Passing Guarantee  
100% Money Back Assurance

Following Questions and Answers are all new published by OMG  
Official Exam Center

-  **Instant Download** After Purchase
-  **100% Money Back** Guarantee
-  **365 Days** Free Update
-  **800,000+** Satisfied Customers





### QUESTION 1

What is a Connection Point Reference used to declare?

- A. a pointer to a connection point
- B. a submachine state
- C. an entry or exit point of a submachine state
- D. an entry or exit point of a state
- E. a pseudostate

Correct Answer: C

---

### QUESTION 2

What does a loop node consist of?

- A. parameters
- B. partitions
- C. bodyPart nodes
- D. clauses
- E. behaviors
- F. guards

Correct Answer: C

---

### QUESTION 3

Which must be true in order to use a delegation connector to connect two components?

- A. The components must be related to each other via a dependency.
- B. One component must be part of the internal realization of the other component.
- C. The components must have complex ports.
- D. One component must be a subtype of the other.

Correct Answer: B

---

### QUESTION 4



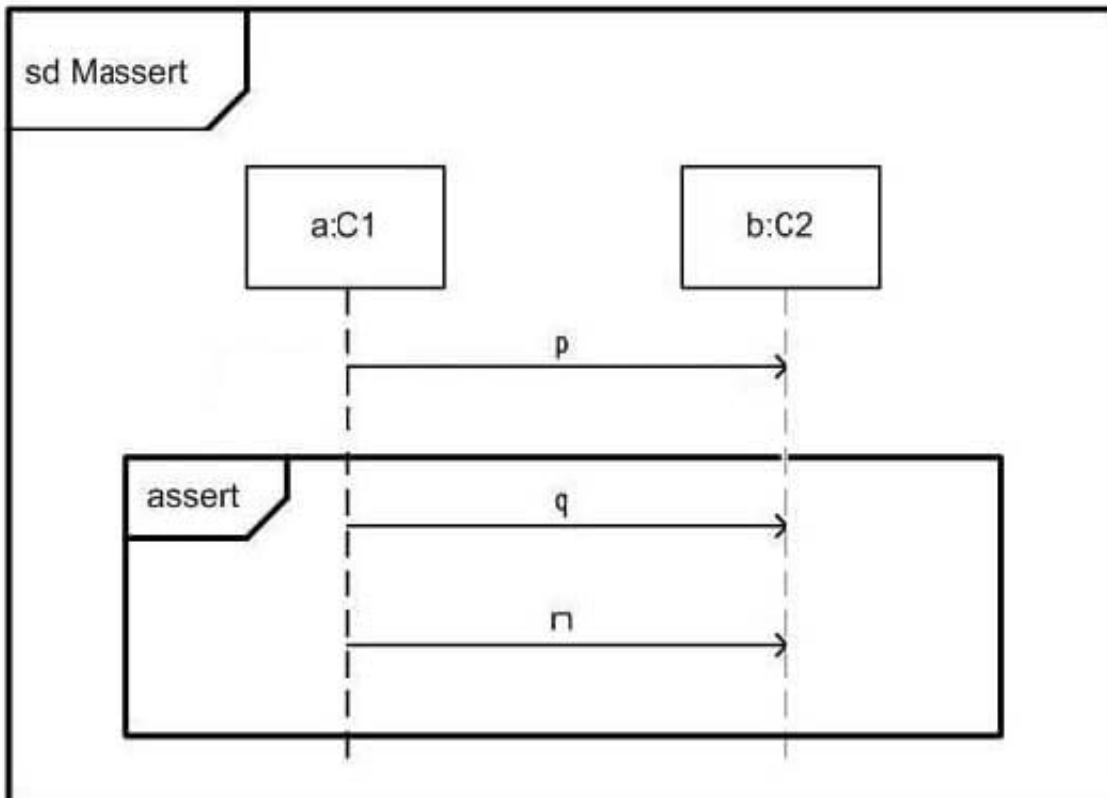
What determines whether a loop continues execution?

- A. behaviors
- B. test nodes
- C. guards
- D. partitions
- E. clauses

Correct Answer: B

**QUESTION 5**

In the exhibit, what is true for Massert?



- A. A message q that occurs before a message p is invalid.
- B. Following a message p, a message m would be valid.
- C. Following a message p, a message m would be invalid.
- D. A message p may come anywhere in the assert combined fragment.

Correct Answer: C



### QUESTION 6

If a central buffer has one value and three outgoing arrows go to three actions, how many of the actions will receive the value?

- A. two
- B. any number
- C. one
- D. none

Correct Answer: C

---

### QUESTION 7

What is permitted for the profile mechanism?

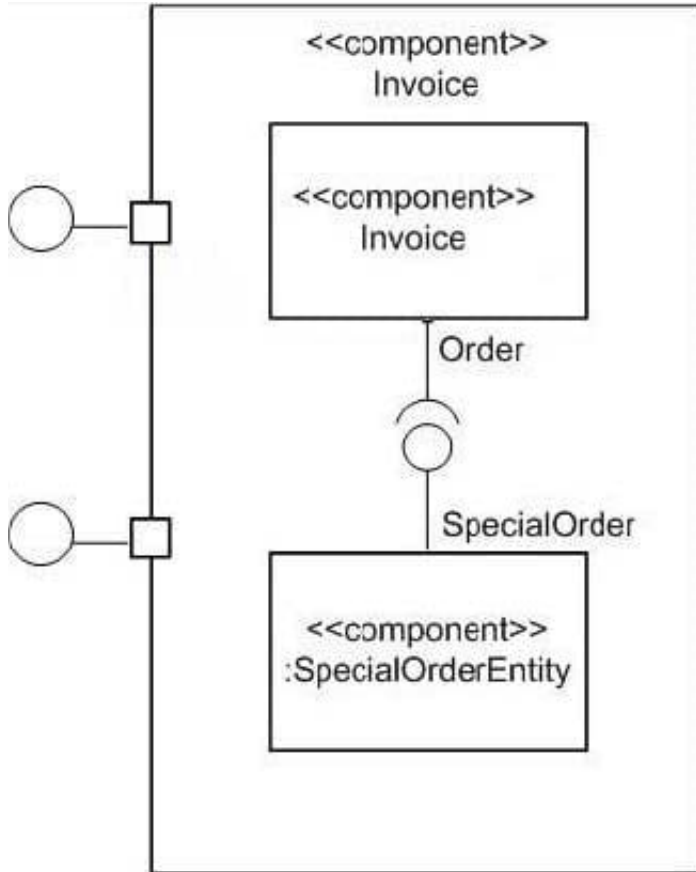
- A. creates new metamodels
- B. removes existing metamodels
- C. extends existing metamodels
- D. changes existing metamodels

Correct Answer: C

---

### QUESTION 8

Refer to the exhibit. Invoicer and Special Order Entity are each preceded by a colon symbol, because they name what type of component?

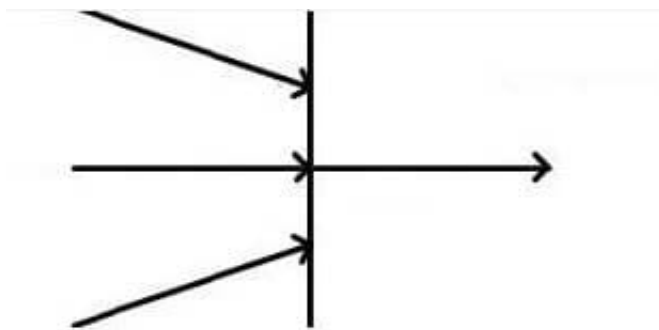


- A. parts of an instance level collaboration
- B. connection types
- C. delegation types
- D. assembly connectors

Correct Answer: A

**QUESTION 9**

In the exhibit, how many of the arrows must provide values for the outgoing arrow to be given a value?



- A. none



- B. three
- C. one
- D. two

Correct Answer: B

---

#### QUESTION 10

What is the meaning of a required extension?

- A. An instance of the extending stereotype must always be linked to an instance of the extended metaclass.
- B. This extension has a higher priority than the other defined in the same profile.
- C. An instance of the extending stereotype must never be linked to an instance of the extended metaclass.
- D. The extension must be applied at least once in a model.

Correct Answer: A

---

#### QUESTION 11

In a state machine, what is true for a "do activity of a state"?

- A. starts executing when the state is entered
- B. specifies a condition that must always be true when the state is active
- C. can only appear in a composite state
- D. executes repeatedly as long as the state is active
- E. is equivalent to an entry action of a state

Correct Answer: A

---

#### QUESTION 12

In UML, what kind of behaviors are state machines used to describe?

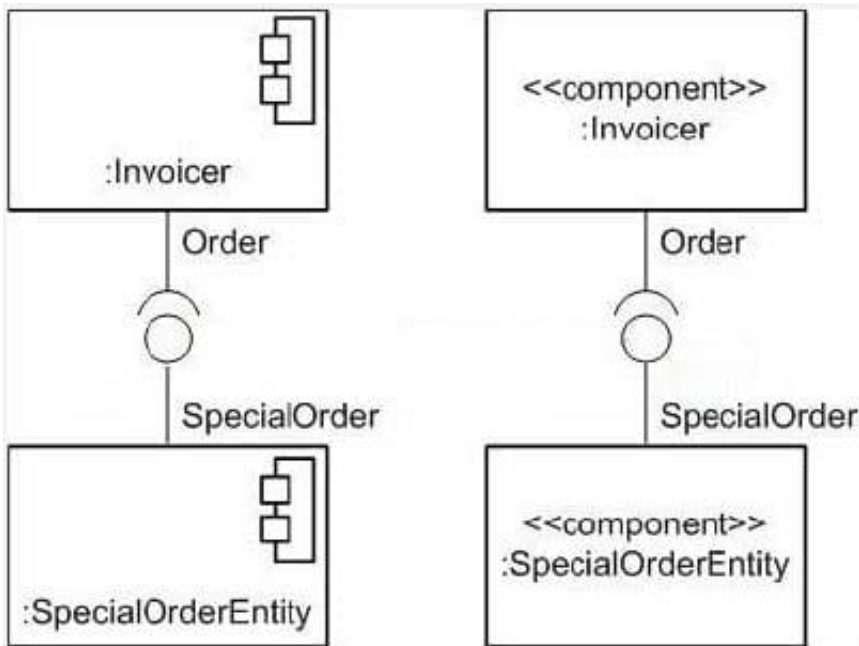
- A. software based
- B. continuous
- C. continuous or discrete
- D. discrete

Correct Answer: D

---

**QUESTION 13**

What is the semantic difference between the two figures in the exhibit?



- A. One is white-box view, while the other is a black-box view.
- B. One is a deployment diagram, while the other is a class diagram.
- C. There is no semantic difference.
- D. One is a UML 2.0 diagram, while other is a UML 1.5 diagram.

Correct Answer: C

**QUESTION 14**

A component may legally participate in which relationship(s)?

- A. associations and generalizations
- B. dependencies, associations, and generalizations
- C. dependencies and generalizations
- D. dependencies

Correct Answer: B

**QUESTION 15**

What is NOT a correct assertion?



- A. A model element can be extended by several stereotypes at the same time.
- B. Un-applying a profile from a model deleted stereotypes extending the model.
- C. Stereotypes extending a model element can be retracted at any time.
- D. Stereotypes extending a model element are immutable.

Correct Answer: D

[Latest OMG-OCUP2-INT200 Dumps](#)

[OMG-OCUP2-INT200 VCE Dumps](#)

[OMG-OCUP2-INT200 Practice Test](#)