



OMG-OCSMP-MBI300^{Q&As}

OMG-Certified Systems Modeling Professional - Model Builder –
Intermediate





**Pass OMG OMG-OCSMP-MBI300 Exam with 100%
Guarantee**

Free Download Real Questions & Answers **PDF** and **VCE** file from:

<https://www.pass4itsure.com/omg-ocsmp-mbi300.html>

100% Passing Guarantee
100% Money Back Assurance

Following Questions and Answers are all new published by OMG
Official Exam Center

-  **Instant Download** After Purchase
-  **100% Money Back** Guarantee
-  **365 Days** Free Update
-  **800,000+** Satisfied Customers





QUESTION 1

Choose the correct answer.

A system engineer has created a SysML block structure for his system-of-interest. Two of the blocks (M and E) represent system-level abstractions of components that will be designed by a mechanical engineer and an electrical engineer in their respective computer-aided design (CAD) tools.

Given that the CAD models are wrapped as blocks B_mcad and B_ecad, what type of diagram should the system engineer use to quantitatively relate the properties of B_mcad and B_ecad to their system level abstractions M and E respectively?

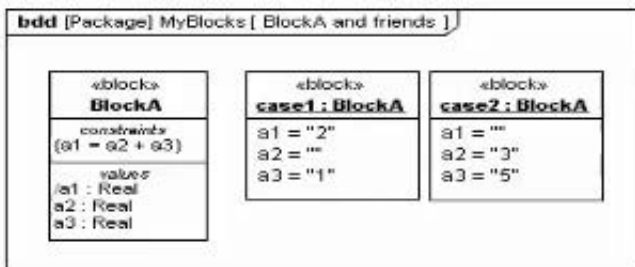
- A. an activity diagram
- B. a parametric diagram
- C. an internal block diagram
- D. a block definition diagram

Correct Answer: B

QUESTION 2

Choose the correct answer.

Given the model composed of the following diagram:



The modeler has set all shown values as inputs and next intends to solve the model that is, to calculate the outputs. Assume nothing relevant has been left out. What is wrong with this model?

- A. The modeler set a1 as an input value in case1.
- B. Block A cannot be used by both case1 and case2.
- C. Both case1 and case2 should not be underlined.
- D. The slash (/) in property a1 of BlockA is an error that the modeler will assume to be a division sign.

Correct Answer: C



QUESTION 3

Choose the correct answer

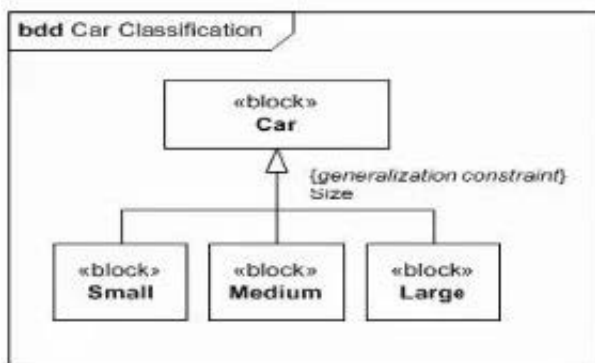
How are use cases and requirements used for requirements analysis in SysML?

- A. in a SysML model, either use cases or requirements are modeled, but never both
- B. Use cases are a relic from UML and are, strictly speaking, useless in a SysML model
- C. Use cases are good for capturing functional requirements. For nonfunctional requirements, the requirement element is needed
- D. Use cases are the basis for all requirements in a model. Requirements refine the use cases by adding additional information through their properties.

Correct Answer: C

QUESTION 4

Choose the correct answer. Given the following diagram:



Which generalization constraint keywords should be used to specify that: 1- the set of all instances of Car is not fully covered by its three shown subtypes, Small, Medium, and Large, AND 2- an instance of Car is exclusively either Small, Medium, or Large

- A. (not full, exclusive)
- B. (partial, exclusive)
- C. {Incomplete, xor}
- D. (incomplete disjoint)
- E. {subset, disjoint}

Correct Answer: C



QUESTION 5

The final version of the diagram must depict that a SoftwareSession is created by some activity of a:User.

Which change must be made to the Initial draft diagram to meet this requirement?

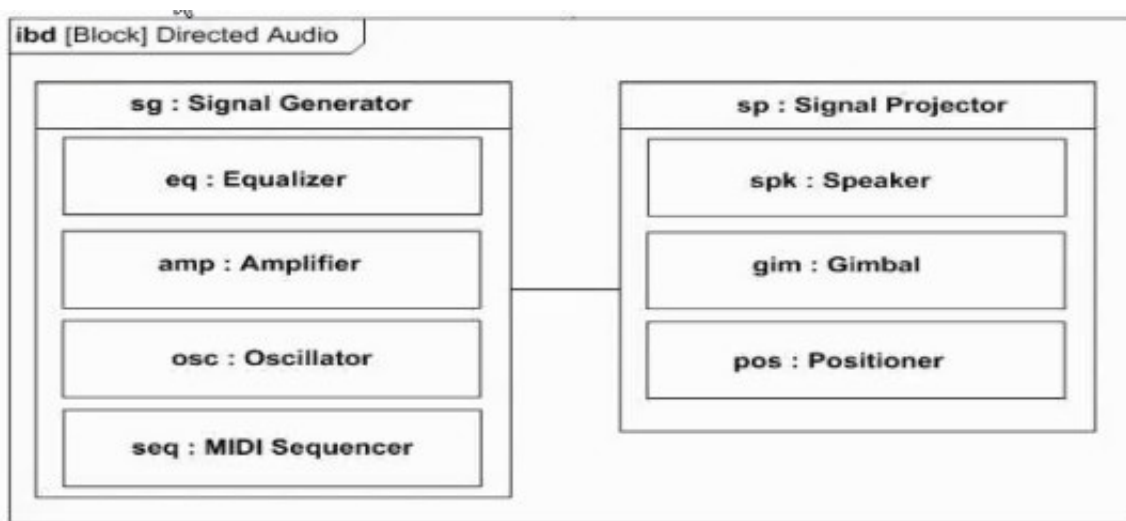
- A. The arrow "Start Software" has to be solid and with a closed head.
- B. The first activation on the lifeline SoftwareSession has to be removed
- C. The arrow "Start Software" has to end at the tail and not at the head of the lifeline SoftwareSession.
- D. No change is required.

Correct Answer: C

QUESTION 6

Choose the correct answer.

Given a system for keeping birds away from airports One component, described by the following diagram directs audio signals at birds that approach a runway, its parts, as part properties, are typed by blocks.



A systems engineer has identified some blocks that type the part properties, but as the design becomes more specific, the engineer discovers that these blocks exist in multiple variants. What modeling choice does the engineer face at this point?

- A. whether to model part properties as (a) a library, or (b) a logical hierarchy
- B. whether to model part properties as (a) a library or (b) a hierarchy of non-composite relationships
- C. whether to model variants of blocks that type part properties as (a) explicit subclasses of the blocks, or (b) part-specific types.
- D. whether to model variants of blocks that type part properties as (a) implicit subclasses of the blocks, or (b) part-



specific types

Correct Answer: A

QUESTION 7

Choose the correct answer.

Where can a StateInvariant appear?

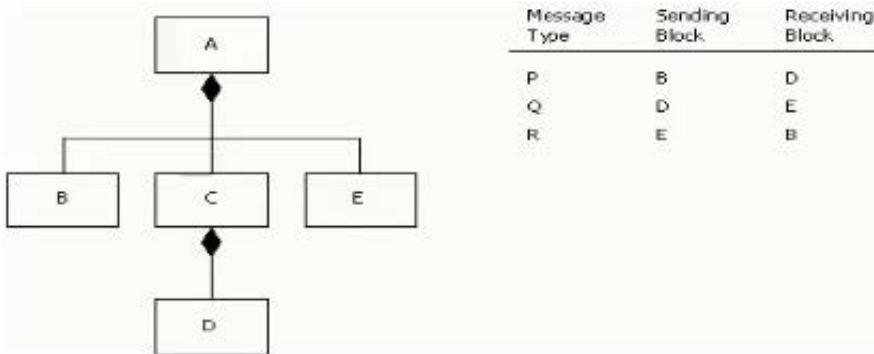
- A. on a lifeline in a sd
- B. on a transition in a stm
- C. on an object node In an act
- D. in the s rates compartment of a block on a bdd

Correct Answer: A

QUESTION 8

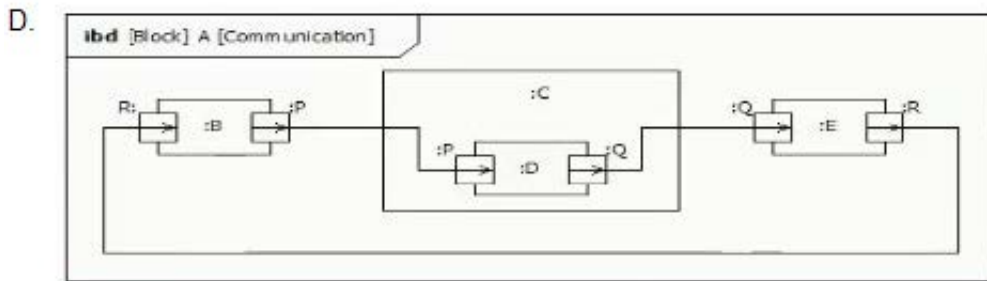
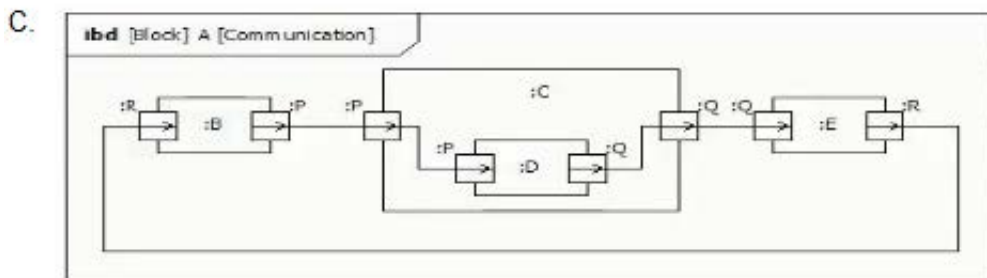
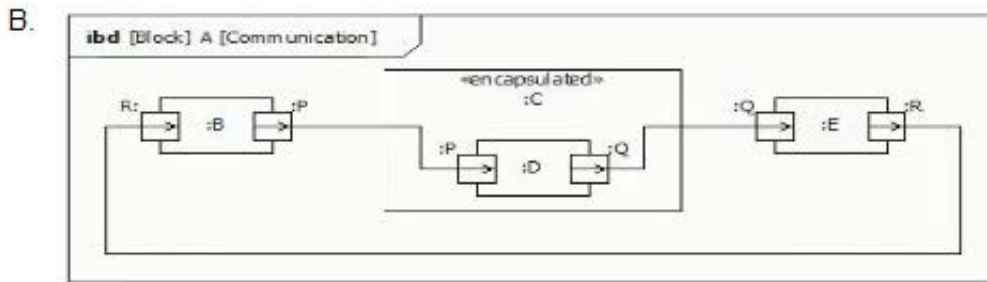
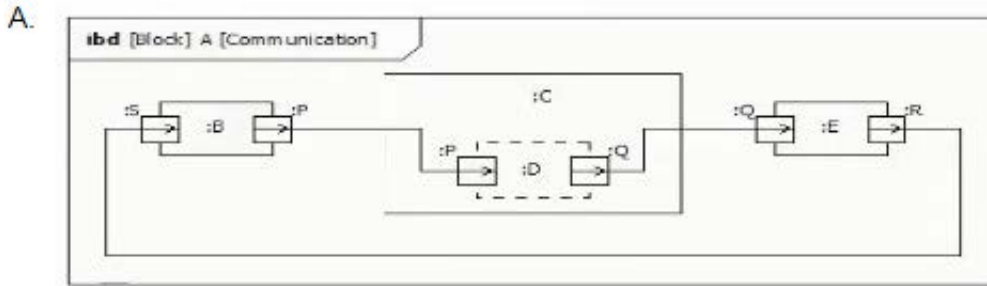
Choose the correct answer.

Given the following bdd fragment and table showing messages sent between blocks:



Block C is encapsulated; none of the other blocks are.

Which lbd for block A has the correct assignment of flow ports and connectors? If two or more options are correct, select the one with the fewest ports.



A. Option A

B. Option B

C. Option C

D. Option D

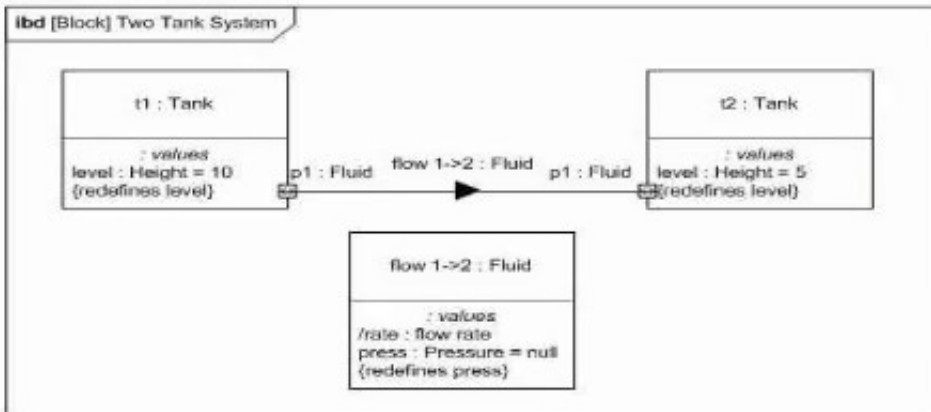
Correct Answer: B

QUESTION 9

Choose the correct answer



A system consists of two identical tanks each containing a different level of fluid. The tanks are connected together by a port at the bottom of each tank. This system is modeled in the following diagram:



Which statement is true?

- A. The block Fluid, which types item property flow 1 ->2. has a value property press : Pressure with a default value of null
- B. The value property /rate : flow rate is a derived property, which accommodates calculating its value based on oilier properties
- C. Parts t1 and t2 each use part instances to redefine the value of property level : Height
- D. The value of /rate for item property flow 1->2 is positive for flow from t1 to t2. and negative for How in the other direction
- E. Both port p1 on pan t1. and port p1 on t2. must have values defined for value properties /rate and press

Correct Answer: B

QUESTION 10

Choose the correct answer

Different Block kinds are modeled using stereotypes such as «system», «subsystem» or «software»

Where are these stereotypes typically defined?

- A. The modeling tool provides the stereotypes
- B. The stereotypes are part of the SysML standard
- C. Each modeler who writes requirements can define stereotypes
- D. A profile that maps modeling methodology concepts to the model defines the stereotypes

Correct Answer: A



QUESTION 11

Choose the correct answer

What is a flow port that is typed by a flow specification said to be?

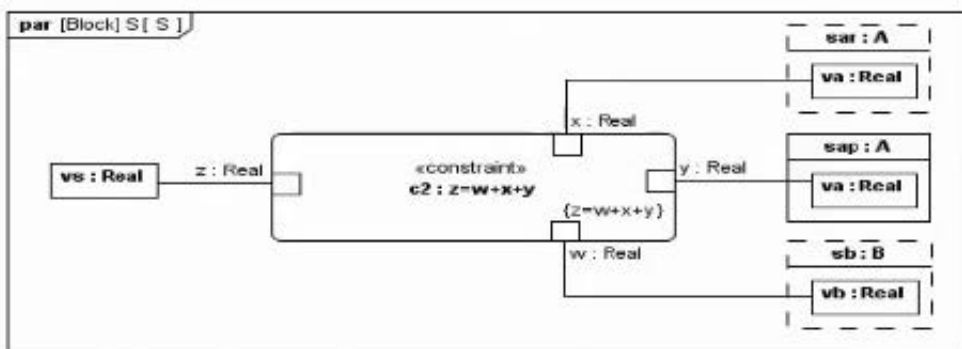
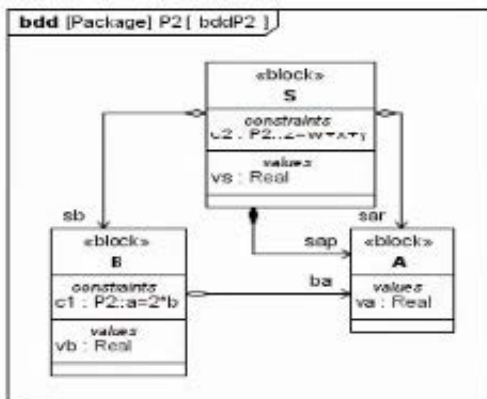
- A. atomic
- B. nonatomic
- C. delegation
- D. behavioral
- E. conjugated
- F. directionless

Correct Answer: B

QUESTION 12

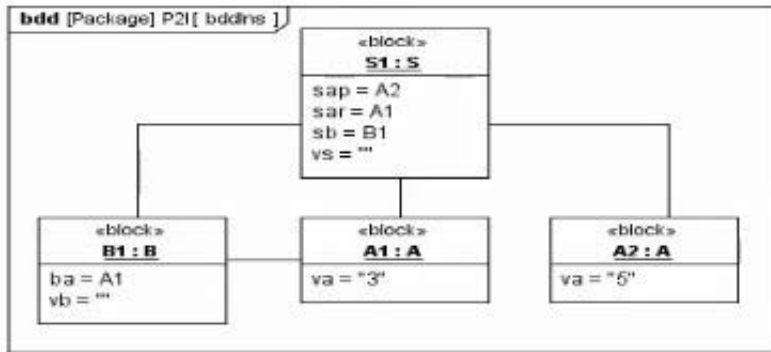
Choose the correct answer.

Given the following block structure model:





What is the value of S1.vs when the parametric models are executed for the following instance?



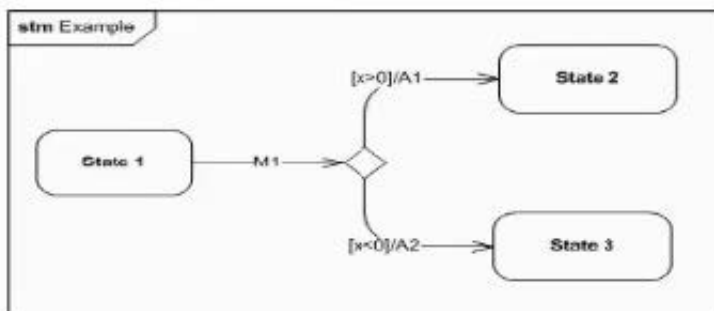
- A. 11
- B. 14
- C. 13
- D. There is no value - the instance model is invalid

Correct Answer: B

QUESTION 13

Choose the correct answer.

Given the following diagram:



How does state machine Example behave after receipt of event M1 with x equal to zero?

- A. It remains in State 1.
- B. it arbitrarily enters either State 2 or State 3.
- C. It terminates
- D. Its behavior is not defined.

Correct Answer: A

QUESTION 14



Choose the correct answer.

Which diagram type is commonly used to create a bill of materials?

- A. Package diagram
- B. Activity diagram
- C. Parametric diagram
- D. Requirements diagram
- E. internal block diagram
- F. Block definition diagram

Correct Answer: C

QUESTION 15

Choose the correct answer.

What are streaming parameters?

- A. parameters that are mapped to flow ports
- B. parameters in which tokens are never buffered
- C. parameters through which a continuous stream of tokens pass
- D. parameters through which an activity can accept or produce tokens throughout its execution

Correct Answer: B

[Latest OMG-OCSMP-MBI300 Dumps](#)

[OMG-OCSMP-MBI300 Practice Test](#)

[OMG-OCSMP-MBI300 Study Guide](#)