



NCM-MCI-5.15^{Q&As}

Nutanix Certified Master - Multicloud Infrastructure (NCM-MCI) 5.15

Pass Nutanix NCM-MCI-5.15 Exam with 100% Guarantee

Free Download Real Questions & Answers **PDF** and **VCE** file from:

<https://www.pass4itsure.com/ncm-mci-5-15.html>

100% Passing Guarantee
100% Money Back Assurance

Following Questions and Answers are all new published by Nutanix Official Exam Center

-  **Instant Download** After Purchase
-  **100% Money Back** Guarantee
-  **365 Days** Free Update
-  **800,000+** Satisfied Customers





QUESTION 1

An administrator is migrating 5MB shares from a third-party platform to Nutanix Files with the following characteristics:

Shares contain user profile directories DFS-N will be used How should the administrator create target shares for this migration?

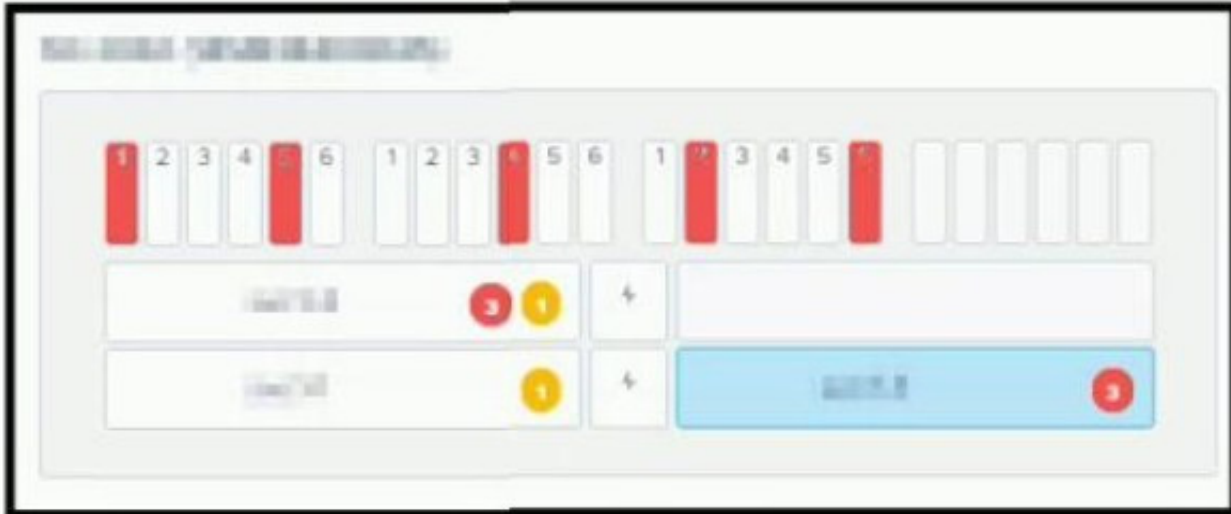
- A. Create multiple general purpose shares and distribute migrated data as evenly as possible.
- B. Create multiple distributed shares and distribute migrated data as evenly as possible.
- C. Create standard shares with multiple top-level directories and distribute migrated data.
- D. Create distributed shares with multiple top-level directories and distribute migrated data.

Correct Answer: D

Explanation: Ref: https://portal.nutanix.com/page/documents/details/?targetId=Files-v3_6:Files-v3_6

QUESTION 2

Refer to the exhibit.



An administrator logs in to Prism and sees the status shown in the exhibit within the Hardware Diagram section. What should the administrator do?

- A. Resolve all alerts and re-import the disks to make sure there is no service disruption.
- B. Restart all CVMs for the cluster to check, confirm health and repartition and add the disks.
- C. Reseat all disks immediately. If this does not help, reseat the nodes.
- D. Check status of applications running on the cluster and call support



Correct Answer: D

QUESTION 3

A customer has a four-node cluster and is using Volume Groups to provide storage services to a SQL cluster. In the event of a CVM failure in the cluster, what is the expected IO path of the volume group's iSCSI targets?

- A. vDisk directed at failure CVM are redirected to Data Services IP until CVM is reconnected
- B. vDisk directed to CVM that failed to disconnect and will not reconnect without manual intervention
- C. vDisk directed to failed CVM are redirected to another CVM and automatically reconnect
- D. vDisk directed at failed CVM will disconnect and reconnect when the failed CVM comes back online

Correct Answer: C

QUESTION 4

A customer with a four-node RF2 cluster is adding application VMs to their system. After adding these VMs, the Prism dashboard shows 81% storage utilization. What is the consequence of running the cluster at 81% storage utilization?

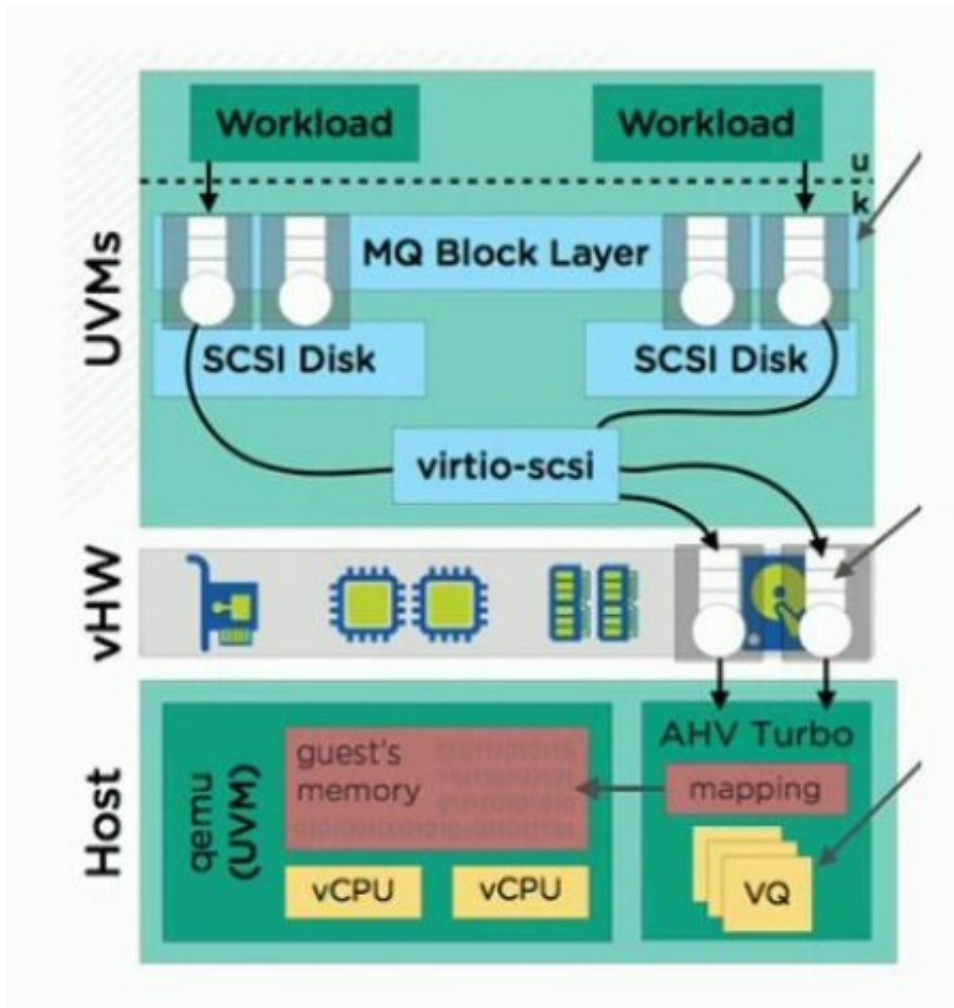
- A. The customer has the ability to add more VMs up to the 100% storage utilization.
- B. There is available capacity in the storage fabric and the cluster is resilient.
- C. Node failure is imminent due to storage utilization.
- D. The cluster is not resilient in the storage fabric

Correct Answer: D

Explanation: <https://next.nutanix.com/how-it-works-22/recommended-maximum-storage-utilization-37234>

QUESTION 5

Refer to the exhibit.



An administrator has an existing cluster and needs to improve performance using AHV Turbo. Which two items are required to achieve even greater performance? (Choose two.)

- A. Workloads are multi-threaded.
- B. VMs have one vCPU configured.
- C. VMs have multi-queue disabled.
- D. VMs have more than one vCPU.

Correct Answer: AD



AHV Turbo technology recommendations

AHV Turbo technology is transparent to the VMs, but you can achieve even greater performance if:

- The VM has multiqueue enabled. Consult your Linux distribution documentation to make sure that the guest operating system fully supports multiqueue before you enable it, as well as for instructions on how to enable it. One common method for enabling multiqueue is to add one of the following lines to the kernel command line:

```
scsi_mod.use_blk_mq=y
```

```
scsi_mod.use_blk_mq=1
```

- You have installed virtIO 1.1.2 or newer for Windows-based VMs. No additional configuration is required.
- The VM has more than one vCPU.
- The workloads are multi-threaded.

QUESTION 6

An administrator receives a notification that storage in a Nutanix cluster is unavailable. The cluster consists of five nodes and is configured with a Fault-Tolerance level of 1 (FT-1).

Upon investigation, the administrator finds the following:

All AHV hosts are powered on and the CVMs are running. Nodes A, B, and C are connected to one top of rack switch. Nodes D and E are connected to a second top of rack switch. The cluster status command run on Node A shows that CVM services on nodes D and E are down.

Which issue is causing the storage outage?

- A. The default gateway for the CVMs and AHV hosts is down.
- B. The switch connecting Nodes D and E is down.
- C. The genesis process is down on both Nodes D and E.
- D. Nodes D and E are in maintenance mode.

Correct Answer: B

Explanation: <https://hyperhci.com/2020/07/29/nutanix-cluster-services-down-troubleshooting/>

QUESTION 7

An administrator is using Nutanix Move to migrate a Windows VM from ESXi to AHV. Automated guest preparation is failing with an error:

Account has UAC enabled error

The administrator is using the local built-in administrator account for the Windows VM. Admin approval mode must remain enabled.

What should the administrator do to continue with the migration with Nutanix Move?

- A. Use a Domain Admin account for the Windows VM



- B. Reboot the Windows VM and try the migration again
- C. Follow manual VM preparation guidelines
- D. Place Windows VM in Maintenance Mode

Correct Answer: C

Explanation: <https://next.nutanix.com/move-application-migration-19/nutanix-xtract-validation-failed-user-must-belong-in-a-group-with-restore-files-and-directories-security-policy-31303>

Solution:

If local built in "administrator" user is being used for guest preparation, **disable** the following Local Security policy:

Computer Configuration\Windows Settings\Security Settings\Local Policies\Security Options\User Account Control: Admin Approval Mode for the Built-in Administrator account

<https://docs.microsoft.com/en-gb/windows/security/threat-protection/security-policy-settings/user-account-control-admin-approval-mode-for-the-built-in-administrator-account>

Or use [manual guest preparation](#) from elevated PowerShell.

QUESTION 8

A system administrator needs to shut down an AHV node in a Nutanix cluster without causing service disruption. The administrator checks data resiliency and verifies that the cluster can tolerate a node down. Which three steps should the administrator perform next? (Choose three.)

Hot Area:



| Procedure | Step |
|---|--------------|
| Put the host in maintenance mode | Step 1 |
| | Step 2 |
| | Step 3 |
| | Invalid Step |
| Shut down the CVM | Step 1 |
| | Step 2 |
| | Step 3 |
| | Invalid Step |
| Shut down the node | Step 1 |
| | Step 2 |
| | Step 3 |
| | Invalid Step |
| Power off the node | Step 1 |
| | Step 2 |
| | Step 3 |
| | Invalid Step |
| Allow VMs to start on the remaining nodes | Step 1 |
| | Step 2 |
| | Step 3 |
| | Invalid Step |

Correct Answer:



| Procedure | Step |
|---|--------------|
| Put the host in maintenance mode | Step 1 |
| | Step 2 |
| | Step 3 |
| | Invalid Step |
| Shut down the CVM | Step 1 |
| | Step 2 |
| | Step 3 |
| | Invalid Step |
| Shut down the node | Step 1 |
| | Step 2 |
| | Step 3 |
| | Invalid Step |
| Power off the node | Step 1 |
| | Step 2 |
| | Step 3 |
| | Invalid Step |
| Allow VMs to start on the remaining nodes | Step 1 |
| | Step 2 |
| | Step 3 |
| | Invalid Step |

QUESTION 9



An administrator is configuring an All Flash cluster to support the following workloads:

Full clone virtual desktops

Hadoop

Write heavy databases

Which three correct configuration options should the administrator use to meet the item requirements? (Choose three.)

For each procedure, indicate whether it is a correct or incorrect procedure that must be configured to meet the item requirements using the drop-down option.

Hot Area:

| Procedure | Correct/Incorrect |
|--|---|
| One container with compression and deduplication enabled for full clone virtual desktops | <input type="text" value="Select"/> <input checked="" type="text" value="Select"/> <input type="text" value="Correct"/> <input type="text" value="Incorrect"/> |
| One container with compression and Erasure Coding enabled for Hadoop | <input type="text" value="Select"/> <input checked="" type="text" value="Select"/> <input type="text" value="Correct"/> <input type="text" value="Incorrect"/> |
| One container with compression enabled for heavy databases | <input type="text" value="Select"/> <input checked="" type="text" value="Select"/> <input type="text" value="Correct"/> <input type="text" value="Incorrect"/> |
| One container with deduplication enabled for full clone virtual desktops | <input type="text" value="Select"/> <input checked="" type="text" value="Select"/> <input type="text" value="Correct"/> <input type="text" value="Incorrect"/> |
| One container with Erasure Coding enabled for Hadoop | <input type="text" value="Select"/> <input checked="" type="text" value="Select"/> <input type="text" value="Correct"/> <input type="text" value="Incorrect"/> |
| One container with deduplication enabled for Hadoop | <input type="text" value="Select"/> <input checked="" type="text" value="Select"/> <input type="text" value="Correct"/> <input type="text" value="Incorrect"/> |

Correct Answer:



Procedure

One container with compression and deduplication enabled for full clone virtual desktops

One container with compression and Erasure Coding enabled for Hadoop

One container with compression enabled for heavy databases

One container with deduplication enabled for full clone virtual desktops

One container with Erasure Coding enabled for Hadoop

One container with deduplication enabled for Hadoop

Correct/Incorrect

Select dropdown menu with options: Select, Correct, Incorrect

Select dropdown menu with options: Select, Correct, Incorrect

Select dropdown menu with options: Select, Correct, Incorrect

Select dropdown menu with options: Select, Correct, Incorrect

Select dropdown menu with options: Select, Correct, Incorrect

Select dropdown menu with options: Select, Correct, Incorrect

| Use Case | Example | Recommendation |
|----------------------------|--|--|
| User data | File server, user data vDisk | Post-process compression with 4–6 hour delay |
| VDI | VMware View, Citrix XenDesktop | VCAI snapshots, linked clones, full clones with inline deduplication No compression |
| Data processing | Hadoop, data analytics, data warehousing | Inline Compression |
| Transactional applications | Exchange, Active Directory, SQL Server, Oracle | Native application compression where available, otherwise inline compression |
| Archive or backup | Handy Backup, SyncBack | Inline compression unless data is already compressed |



QUESTION 10

Creating an Isolation Environment Policy

An isolation environment policy identifies two groups of VMs and blocks communications between the groups. The two groups are identified by category. You can specify an additional category to restrict the scope of the policy to that category.

About this task

To create an isolation environment, do the following:

Procedure

1. On the **Explore** tab of the main menu, click **Security Policies** from the entities list (left column). See [Security Policies Summary View](#).
2. Click **Create Security Policy**, and then click **Isolate Environments**.

An organization is running a Nutanix Cluster based on AOS 5.10.x and VMware vSphere 6.7. Currently, the CVM network is segmented and Storage only nodes not present. A new security project based on NSX is coming. VMware Distributed Virtual Switches are required. The administrator needs to prepare the environment for the new project. Which step should the administrator use to initiate the project?

- A. Enable Nutanix Flow at the Prism Central Level
- B. Manually disable CVM network Segmentation
- C. Convert storage only nodes into vSphere nodes
- D. Enable Jumbo Frames to accommodate network frames

Correct Answer: D

QUESTION 11

An administrator recently added VLAN 205 CRM in Prism Element. The workloads attached to the associated NICs are unable to establish network connectivity. Which Layer 2 protocol allows the administrator to troubleshoot this issue from Prism Element?

- A. HDLC
- B. SUP
- C. LACP
- D. LLDP

Correct Answer: D

After the migration, some SQL queries take longer to execute than prior to migration. The following SQL best practices were applied while creating the SQL VM on Nutanix: vDisks per SQL server VM

Database and Log files on separate vDisk TempDB database drives and 1 TempDB log drive What should the administrator do to improve the SQL Server performance?

- A. Redistribute existing data by creating additional database file and enable autogrowth
- B. Create multiple TempDB data files and enable autogrowth



C. Create multiple SQL log files and disable autogrowth

D. Redistribute existing data by creating additional database files and disable autogrowth

QUESTION 12

A systems administrator needs to add more VMs to their Nutanix cluster.

Which two actions should the administrator perform to determine if the current cluster can accommodate the new VMs? (Choose two.)

A. Perform an Inventory with Life Cycle Management.

B. Determine utilization with Cluster Runway.

C. Enable Deduplication and Erasure Coding.

D. Utilize Optimize Resources for VM efficiency.

Correct Answer: BD

Ref:

ONE-CLICK PLANNING

Prism includes a powerful application and VM-centric capacity planning engine that is powered by Nutanix's patent-pending X-Fit technology.

- **Capacity Behavior Analytics:** Predictive analysis of capacity usage and trends based on workload behavior enabling pay-as-you-grow scaling.
 - **Capacity Optimization Advisor:** Infrastructure optimization recommendations to improve efficiency and performance based on VM behavioral analysis.
 - **Just In Time Forecast:** Capacity expansion forecast to meet future workload growth.
-

QUESTION 13

An administrator needs to make sure an RF2 cluster can survive a complete rack failure without negatively effecting workload performance. The current cluster configuration consists of the following:

30 nodes: distributed 10 nodes per rack across three 42U rack Each nodes is configured with 40TB usable storage all flash (Cluster Total 1.2 PB Usable) Current cluster utilization is 900TB storage

Which configuration changes should be made to make sure that the cluster meets the requirements?

A. Expanse the cluster by adding 3 additional nodes per rack, 9 nodes total.

B. Expanse the cluster by adding 2 additional nodes per rack, 6 nodes total.

C. Expanse the cluster by adding 9 nodes to a new 42U rack



D. Expand the cluster by adding 8 nodes to a new 42U rack

Correct Answer: A

QUESTION 14

An organization's Nutanix Cluster is based on VMware vSphere. The cluster is configured to download software updates automatically. The administration needs to verify and eventually upgrade VMware hypervisor via Prism UI.

After logging in to Prism, the administrator receives the message shown:

No available versions for upgrade

What is causing the current state?

- A. VMware support has expired, so downloads are not available.
- B. vSphere binaries need to be manually uploaded.
- C. The environment is running the latest vSphere version, so no update is required.
- D. The cluster is unable to connect to release-api.nutanix-ccm:8D.

Correct Answer: C

ref: <https://portal.nutanix.com/page/documents/details?targetId=Web-Console-Guide-Prism-v510:upg-hypervisor-upgrade-esxi-c.html>

QUESTION 15

A new Nutanix cluster is ready for production on a remote site with no IT staff. Changes to the infrastructure will cost money and probably cause a cluster stop. The administrator needs to perform a health check on the environment that should include:

Network connectivity checks Network performance status Storage performance status

Which tool should be used to perform this test?

- A. X-Ray
- B. clurator_cli
- C. NCC
- D. diagnostic.py

Correct Answer: C



VCE & PDF

Pass4itSure.com

<https://www.pass4itsure.com/ncm-mci-5-15.html>

2024 Latest pass4itsure NCM-MCI-5.15 PDF and VCE dumps Download

[NCM-MCI-5.15 VCE Dumps](#)

[NCM-MCI-5.15 Practice
Test](#)

[NCM-MCI-5.15 Exam
Questions](#)