



JN0-647^{Q&As}

Enterprise Routing and Switching Exam

Pass Juniper JN0-647 Exam with 100% Guarantee

Free Download Real Questions & Answers **PDF** and **VCE** file from:

<https://www.pass4itsure.com/jn0-647.html>

100% Passing Guarantee
100% Money Back Assurance

Following Questions and Answers are all new published by Juniper
Official Exam Center

-  **Instant Download** After Purchase
-  **100% Money Back** Guarantee
-  **365 Days** Free Update
-  **800,000+** Satisfied Customers





QUESTION 1

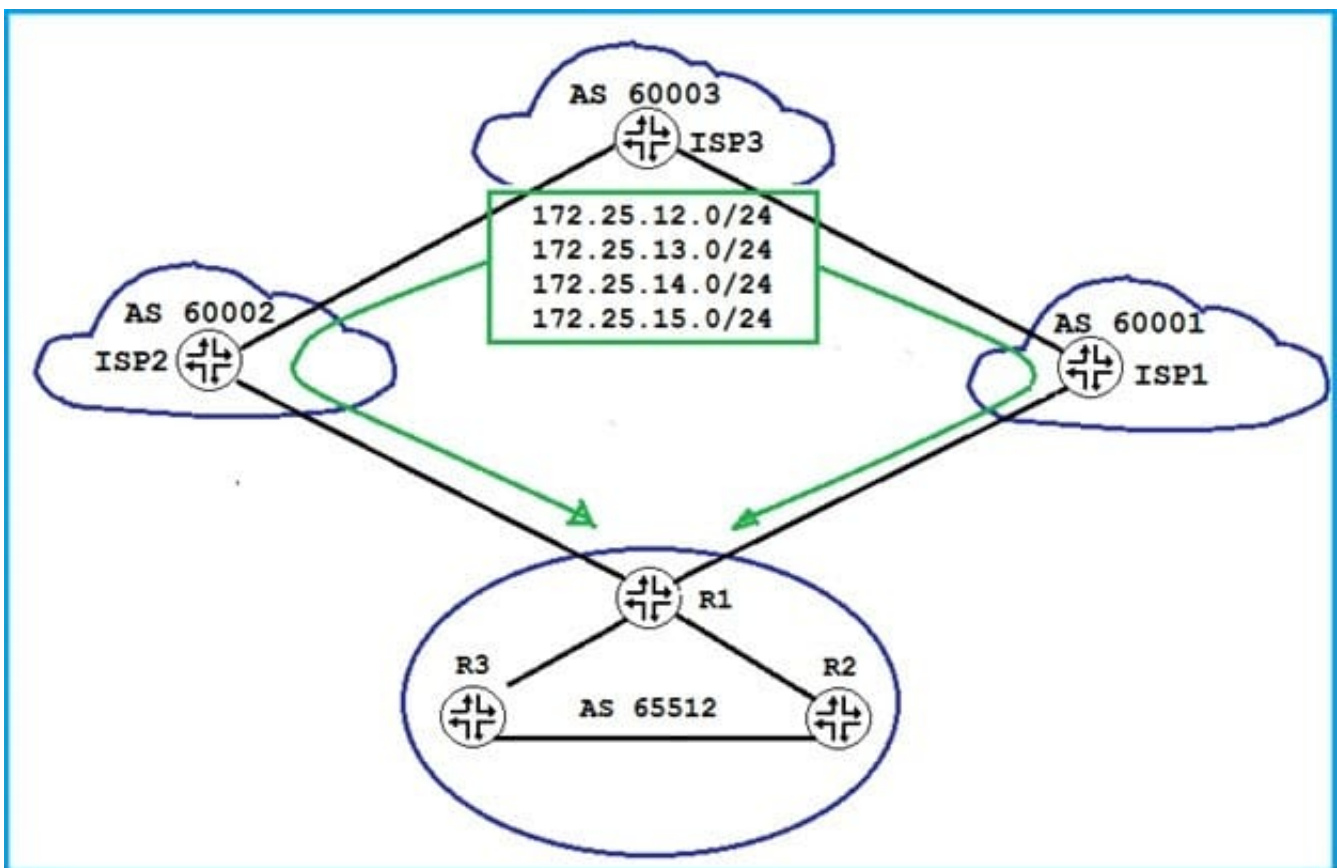
Which protocol is a multicast routing protocol?

- A. OSPF
- B. BGP
- C. PIM
- D. IS-IS

Correct Answer: C

QUESTION 2

Click the Exhibit button.



Referring to the exhibit, you are receiving multiple routes from ISP3 through two EBGP neighbors. You must ensure that all traffic leaving R1 destined to the networks advertised by ISP3 go through ISP2.

What should you do on R1 to accomplish this task?

- A. Create and apply an import policy to set the local preference on routes learned from ISP2 to be lower than those learned from ISP1.



B. Create and apply an import policy to set the route preference on routes learned from ISP2 to be lower than those learned from ISP1.

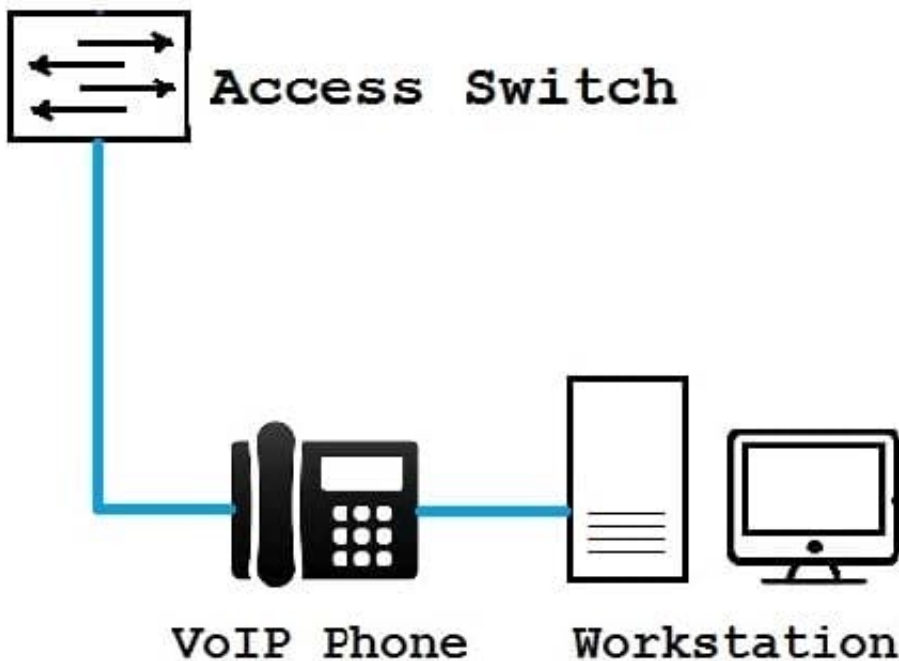
C. Create and apply an import policy to set the route preference on routes learned from ISP2 to be higher than those learned from ISP1.

D. Create and apply an import policy to set the local preference on routes learned from ISP2 to be higher than those learned from ISP1.

Correct Answer: D

QUESTION 3

Click the Exhibit button.



You have configured 802.1X single supplicant mode on the access switch. The VoIP phone does not support 802.1X authentication.

Referring to the exhibit, which statement is true?

- A. MAC bypass must be configured for the VoIP phone for this solution to work.
- B. Authentication must be changed to multiple supplicant mode for this solution to work.
- C. The VoIP phone will be able to communicate over the network after the workstation authenticates.
- D. The VoIP phone will not be able to communicate over the network.

Correct Answer: C

**QUESTION 4**

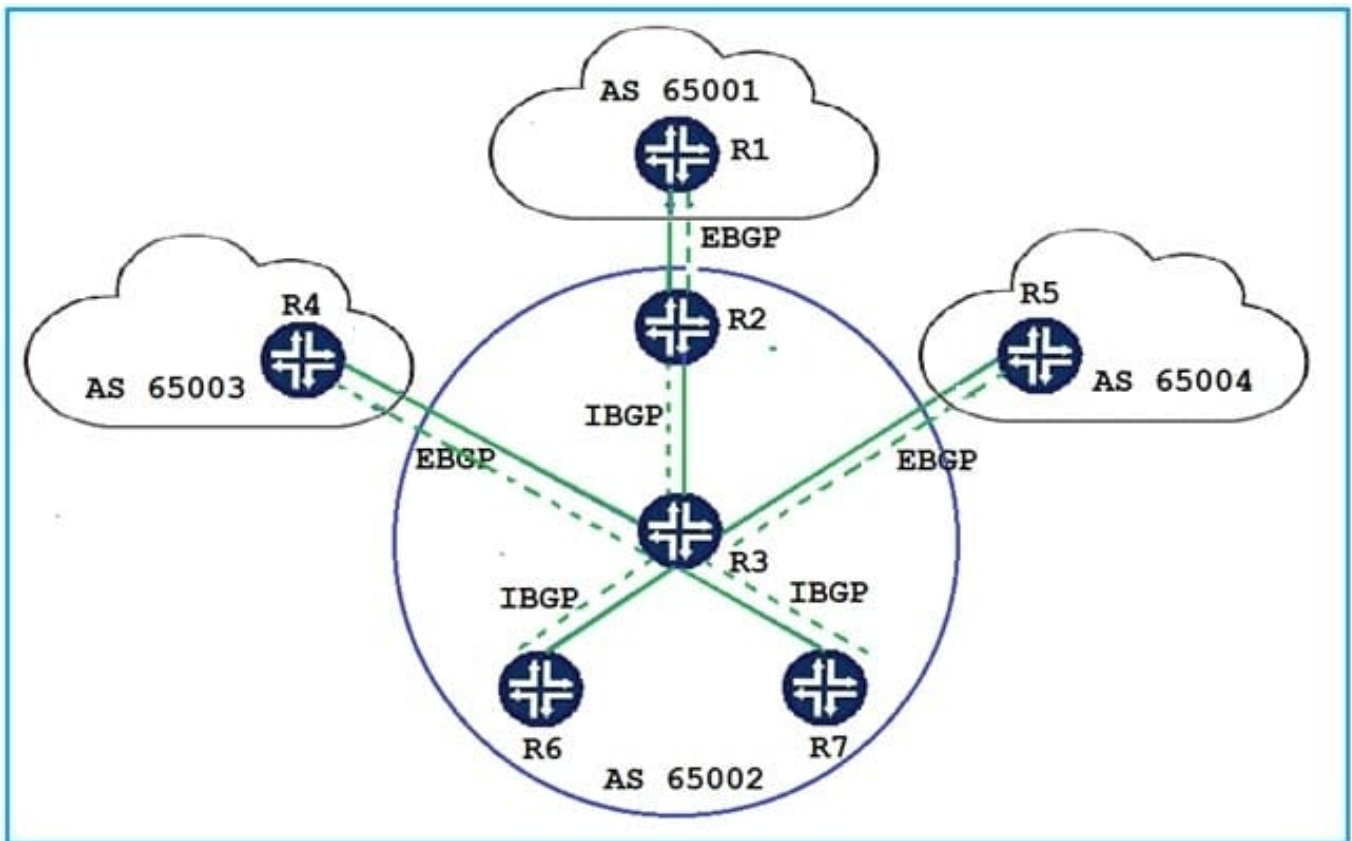
Which two statements are correct about using LLDP on junos devices? (Choose two.)

- A. LLDP operates on layer 2 and layer 3 interfaces
- B. LLDP can interoperate with the cisco discovery protocol CDP
- C. LLDP is enabled on all devices by default
- D. LLDP operates on layer 2 interfaces

Correct Answer: AC

QUESTION 5

Click the Exhibit button.



Router1, in peer AS 65001, advertises routes to R2 using EBGP. R2 advertises the routes learned from R1 to R3 using IBGP. R3 is configured as a route reflector with routers R6 and R7 as clients.

Referring to the exhibit, to which routers will R3 advertise the BGP routes received from R2?

- A. R6, R7
- B. R4, R5



C. R2, R4, R5, R6, R7

D. R4, R5, R6, R7

Correct Answer: D

QUESTION 6

Which two statements are true about OSPFv3? (Choose two.)

A. OSPFv3 packets are sent using local subnet addressing.

B. OSPFv3 packets are sent using link local addressing.

C. The authentication mechanisms in OSPFv3 are the same mechanisms used in OSPFv2.

D. The authentication mechanisms from OSPFv2 are not present in OSPFv3.

Correct Answer: BD

QUESTION 7

Your network supports multicast traffic but your provider network does not. You want to allow multicast hosts outside of your network to receive multicast traffic sourced within your network.

How would you satisfy this requirement?

A. Use MSDP peering with your provider.

B. Use AutoVPN to connect to the remote hosts.

C. Use an MP-BGP session to your provider to pass multicast traffic.

D. Use an automatic multicast tunnel gateway at the edge of your network.

Correct Answer: D

QUESTION 8

You are attempting to configure BGP peering to a new service provider. The BGP peering state is stuck in the active state.

What are two reasons for this happening? (Choose two.)

A. The local autonomous system number is not configure

B. The origin ID is not configure

C. The peer IP address is incorrect

D. The peer autonomous number is incorrect.



Correct Answer: C

QUESTION 9

Your campus EX9200 core devices are highly oversubscribed on bandwidth and reporting massive dropped packets. To immediately address the issue, you decide to implement shaping on all interfaces.

Which action will accomplish?

- A. Apply the input-shape-rate 5G parameter to all interfaces under the [edit class-of service] hierarchy.
- B. Define a CoS input traffic control profile with the shape-rate 5G parameter and apply it to all interfaces.
- C. Define a CoS output traffic control profile with the shape-rate 5G parameter and apply it to all interfaces.
- D. Apply the shape-rate 5G parameter to all interfaces under the [edit class-of service] hierarchy.]

Correct Answer: D

QUESTION 10

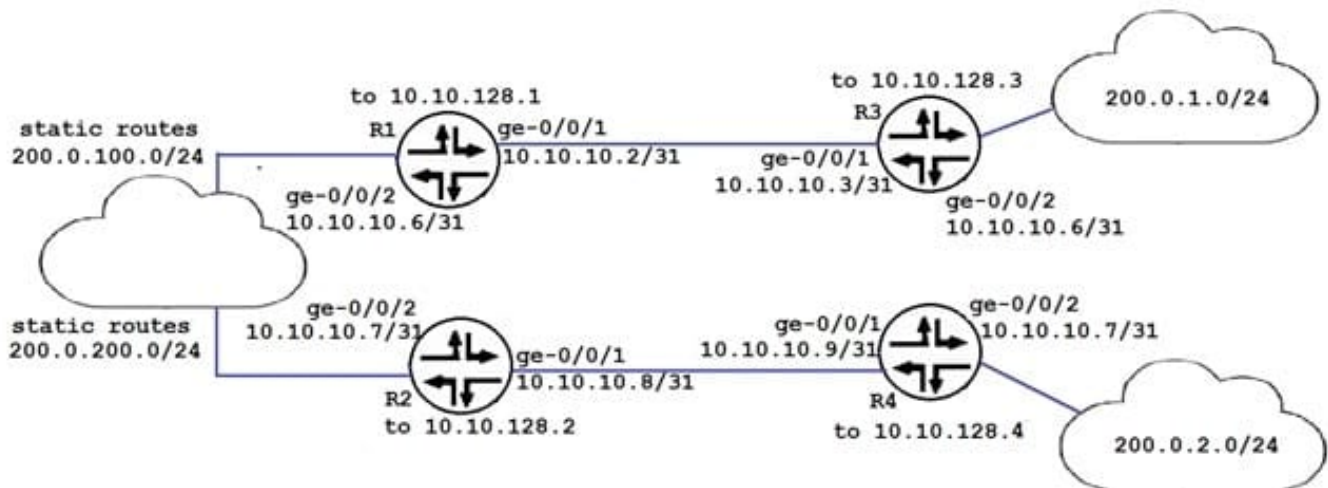
You manage your company enterprises network using EX series switches. Your company wants to use Q in Q tunneling to connect remote customer sites together. Which statement is correct about the scenario?

- A. You must enable L2PT to tunnel layer 2 protocol traffic
- B. The outside layer 2 frame is popped by the penultimate switch
- C. Customer traffic is tunneled through the network using the C VLAN ID
- D. The default Ethernet value is 0x9100

Correct Answer: A

QUESTION 11

Click the Exhibit button.



```
user@R3# show policy-options policy-statement rip-exp
```

```
term 1 {
```

```
    from protocol direct
    then accept;
```

```
}
```

```
term 2 {
```

```
    from {
        protocol static;
```

```
}
```

```
    then {
        metric 3;
        accept;
```

```
}
```

```
user@R3 show protocols rip
```

```
send multicast
```

```
receive version-2;
```

```
group rip {
```

```
    export rip-exp;
```

```
    neighbor ge-0/0/1;
```

```
    neighbor ge-0/0/2;
```

```
user@R3 show route protocol rip
```

```
inet.0: 10 destinations, 10 routes (10 active, 0 holddown, 0 hidden) + =
Active Route, - = Last Active, * = Both
```

```
10.10.128.2/32 192.168.2.0/30 200.0.2.0/24 224.0.0.9/32
```

```
*[RIP/100] 00:09:54, metric 2, tag 0 > to 10.10.129.2 via ge-0/0/0.1121
```

```
*[RIP/100] 00:09:54, metric 2, tag 0 > to 10.10.129.2 via ge-0/0/0.1121
```

```
*[RIP/100] 00:09:54, metric 4, tag 0 > to 10.10.129.2 via ge-0/0/0.1121
```

```
*[RIP/100] 00:10:57, metric 1 MultiRecv
```

The ping command shows that connectivity of the 200.0.1/24 network to the 200.0.200.0/24 network exists. You notice that all the ping test results from various devices on 200.0.1.0/24 follow the same path even though equal cost paths exist to the 200.0.200.0/24 network.

Referring to the exhibit, what is happening?

- A. Load balancing needs to be enabled for equal cost pathing to work.
- B. The rip-exp policy needs to be modified to advertise RIP routes
- C. The RIP group must include the preference statement.
- D. RIPv2 does not support load balancing static routes.

Correct Answer: A

**QUESTION 12**

Click the exhibit.

```
[edit class-of-service schedulers]
user@router# show
s-1 {
    transmit-rate percent 30;
    priority high;
}
s-2 {
    transmit -rate percent 5;
    priority medium-high;
}
s-3 {
    transmit-rate percent 30;
    priority medium-low;
}
s-4 {
    transmit-rate percent 35;
    priority low;
}
```

Referring to the exhibit, traffic handled by the s-1 scheduler is out of profile. Assuming bandwidth is available in this scenario, which statement is correct?

- A. Traffic handled by the s-1 scheduler is serviced immediately after traffic being serviced by the s-4 scheduler.
- B. Traffic handled by the s-1 scheduler is serviced immediately before traffic being serviced by the s-4 scheduler.
- C. Traffic handled by the s-1 scheduler is serviced immediately before traffic being serviced by the s-2 scheduler.
- D. Traffic handled by the s-1 scheduler is serviced immediately after traffic being serviced by the s-2 scheduler.

Correct Answer: D

QUESTION 13

Which statement is correct regarding the isolated ports?

- A. isolated ports are trunk ports that have layer 2 connectivity with all other ports
- B. isolated port are access ports that only have layer 2 connectivity with other isolated port



- C. isolated port are access port that only have layer 2 connectivity with promiscuous ports
- D. isolated port are trunk ports that have layer 2 connectivity with all community ports

Correct Answer: C

QUESTION 14

Which two statements are true about 802.1X dynamic filters based on RADIUS attributes? (Choose two.)

- A. Filters can be defined on the network management system and deployed using vendor-specific attributes.
- B. Filters can be defined on the switch and deployed upon authentication.
- C. Filters can be defined on an automation framework and deployed when triggered by an authentication syslog message.
- D. Filters can be defined on the authentication server and deployed using vendor-specific attributes.

Correct Answer: BD

QUESTION 15

Which statement is correct about CoS policers on Junos devices?

- A. Traffic that exceeds a policer's traffic profile can be dropped or assigned to a specific drop profile.
- B. A policer can assign in-profile traffic to a specific forwarding class.
- C. A policer does not alter in-profile traffic.
- D. Policers can be configured to buffer traffic that exceeds the policer's traffic profile.

Correct Answer: C

[JN0-647 VCE Dumps](#)

[JN0-647 Study Guide](#)

[JN0-647 Braindumps](#)