



400-201^{Q&As}

CCIE Service Provider Written

Pass Cisco 400-201 Exam with 100% Guarantee

Free Download Real Questions & Answers **PDF** and **VCE** file from:

<https://www.pass4itsure.com/400-201.html>

100% Passing Guarantee
100% Money Back Assurance

Following Questions and Answers are all new published by Cisco
Official Exam Center

-  **Instant Download** After Purchase
-  **100% Money Back** Guarantee
-  **365 Days** Free Update
-  **800,000+** Satisfied Customers



**QUESTION 1**

Two routers that use a POS interface are connected back-to-back. The interfaces are operational with no alarms appearing. When the routers are connected using an SDH network, alarms appear on the router and the interface status goes down. Which action will fix this issue?

- A. Reset the POS interface.
- B. Check the ADM switch for correct framing.
- C. Change the framing type on the router POS interface.
- D. Swap the POS interface.

Correct Answer: C

QUESTION 2

What is the encapsulation format of an MPLS Multicast VPN (MVPN) packet?

- A. IP unicast in IP unicast
- B. IP multicast in IP anycast
- C. IP anycast in IP anycast
- D. IP multicast in IP unicast
- E. IP multicast in IP multicast
- F. IP unicast in IP multicast

Correct Answer: E

QUESTION 3

Which of the below protocols can be used to secure CoAP?

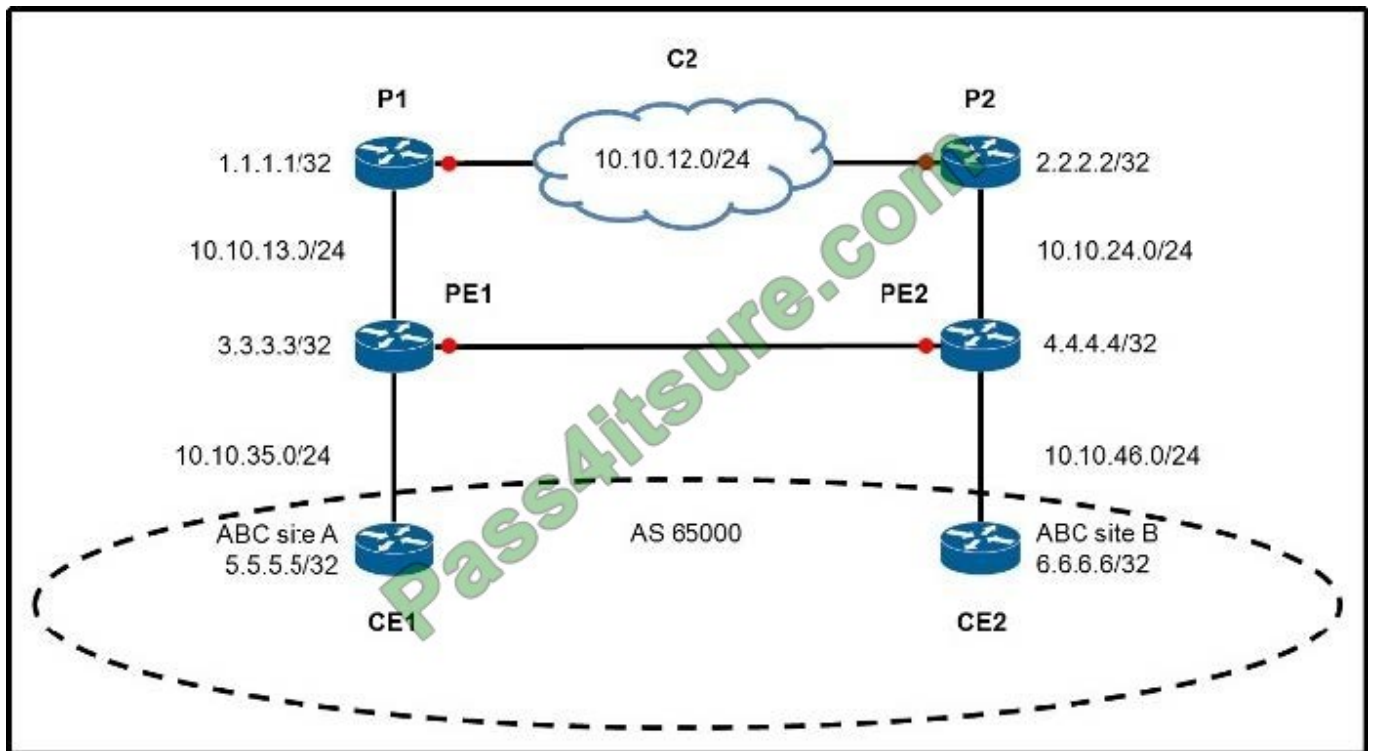
- A. MACsec
- B. DTLS
- C. IPsec
- D. TLS

Correct Answer: B

QUESTION 4



Refer to the exhibit.



An engineer is viewing the CE1 routing table for CE2 Loopback 0. Each CE runs OSPF with its PE.

Which statement describes why the CE2 Loopback address is installed as an external OSPF route at the CE1 routing table?

- A. PE1 and PE2 have mutual redistribution between OSPF and BGP.
- B. CE2 is configured under OSPF with the command redistribute connected.
- C. CE1 and CE2 are in different areas.
- D. CE1 and CE2 have different OSPF processes.
- E. PE1 and PE2 have different OSPF VRF processes.

Correct Answer: E

QUESTION 5

Which three PIM modes require RP? (Choose three)

- A. PIM-DM
- B. PIM-SM
- C. PIM with mLDP
- D. PIM-SSM



E. PIM anycast

F. PIM-BIDIR

Correct Answer: BEF

QUESTION 6

Which two factors are significant drivers for 5G in IoT networks? (Choose two.)

A. Programmability

B. Energy Efficiency

C. Mass Connectivity

D. Higher data rates

E. Lower Latency

Correct Answer: DE

QUESTION 7

What is the maximum capacity of a single Cisco CRS-1?

A. 64 Tb/s

B. 78 Tb/s

C. 92 Tb/s

D. 106 Tb/s

E. 128 Tb/s

Correct Answer: C

QUESTION 8

Select the three valid LMI extension:

A. Multicasting

B. Global addressing

C. Forward-explicit congestion notification (FECN)

D. Virtual circuit status messages.

E. Backward-explicit congestion notification (BECN)



Correct Answer: ABD

Optional LMI Extensions:

The LMI specification also defines several optional extensions:

*

Global addressing convention

*

Multicast capability

*

A simple flow control mechanism

*

Ability for the network to communicate a PVC's CIR to the subscriber in a Status message

*

A new message type that allows the network to announce PVC status changes without prompting from the subscriber
Implementors may build any, all, or none of these features into their networks.

QUESTION 9

Which two protocols can be used for resilience in a Digital Building Ring topology?

- A. IS-IS
- B. LLDP
- C. REP
- D. CDP
- E. STP

Correct Answer: CE

Reference: <https://www.cisco.com/c/en/us/products/collateral/switches/catalyst-digital-building-series-switches/guide-c07-740588.html>

QUESTION 10

Drag and drop the SNMP message types on the left onto the corresponding functionality on the right.

Select and Place:



GET REQUEST	Iteratively retrieves a sequence of information
GET RESPONSE	Retrieve a sequence of information as a faster alternative
TRAP	Send information to a manager in response to a request
GETNEXT REQUEST	Report an alert or other asynchronous event to the manager

Correct Answer:

	GET REQUEST
	GETNEXT REQUEST
	GET RESPONSE
	TRAP

QUESTION 11

Which of the following IOS features can prevent IP spoofing attacks?

- A. Unicast Reverse Path Forwarding (uRPF)
- B. MPLS traffic Engineering
- C. Cisco Express Forwarding
- D. PPP over Ethernet



E. IS-IS routing

Correct Answer: A

QUESTION 12

DND QOS Characteristics on the left onto its correct QOS Mechanism on the right :

Select and Place:

replenishes token bucket continuously

replenishes token bucket on intervals

may increase latency of traffic

can be implemented inbound on interfaces

must be implemented on CEs when a service provider rate limits a circuit

does not support overhead accounting

Policing

[Empty yellow box for Policing]

[Empty yellow box for Policing]

[Empty yellow box for Policing]

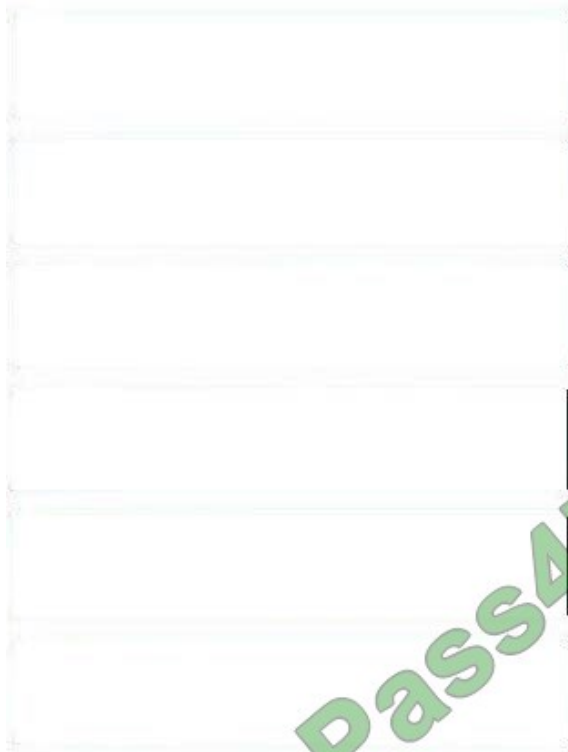
Shaping

[Empty yellow box for Shaping]

[Empty yellow box for Shaping]

[Empty yellow box for Shaping]

Correct Answer:



Policing

replenishes token bucket continuously

can be implemented inbound on interfaces

does not support overhead accounting

Shaping

replenishes token bucket on intervals

must be implemented on CEs when a service provider rate limits a circuit

may increase latency of traffic



To Read the [Whole Q&As](#), please purchase the [Complete Version](#) from [Our website](#).

Try our product !

100% Guaranteed Success

100% Money Back Guarantee

365 Days Free Update

Instant Download After Purchase

24x7 Customer Support

Average 99.9% Success Rate

More than 800,000 Satisfied Customers Worldwide

Multi-Platform capabilities - [Windows](#), [Mac](#), [Android](#), [iPhone](#), [iPod](#), [iPad](#), [Kindle](#)

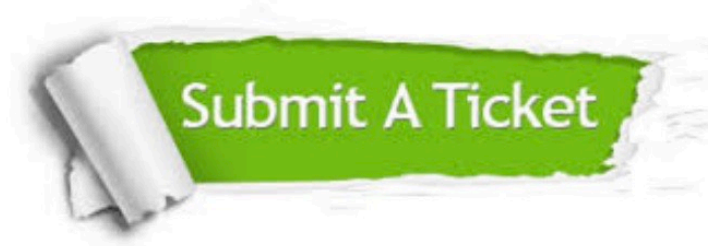
We provide exam PDF and VCE of Cisco, Microsoft, IBM, CompTIA, Oracle and other IT Certifications. You can view Vendor list of All Certification Exams offered:

<https://www.pass4itsure.com/allproducts>

Need Help

Please provide as much detail as possible so we can best assist you.

To update a previously submitted ticket:



 <p>One Year Free Update Free update is available within One Year after your purchase. After One Year, you will get 50% discounts for updating. And we are proud to boast a 24/7 efficient Customer Support system via Email.</p>	 <p>Money Back Guarantee To ensure that you are spending on quality products, we provide 100% money back guarantee for 30 days from the date of purchase.</p>	 <p>Security & Privacy We respect customer privacy. We use McAfee's security service to provide you with utmost security for your personal information & peace of mind.</p>
---	---	--

Any charges made through this site will appear as Global Simulators Limited.

All trademarks are the property of their respective owners.

Copyright © pass4itsure, All Rights Reserved.