



NCM-MCI-5.15^{Q&As}

Nutanix Certified Master - Multicloud Infrastructure (NCM-MCI) 5.15

Pass Nutanix NCM-MCI-5.15 Exam with 100% Guarantee

Free Download Real Questions & Answers **PDF** and **VCE** file from:

<https://www.pass4itsure.com/ncm-mci-5-15.html>

100% Passing Guarantee
100% Money Back Assurance

Following Questions and Answers are all new published by Nutanix
Official Exam Center

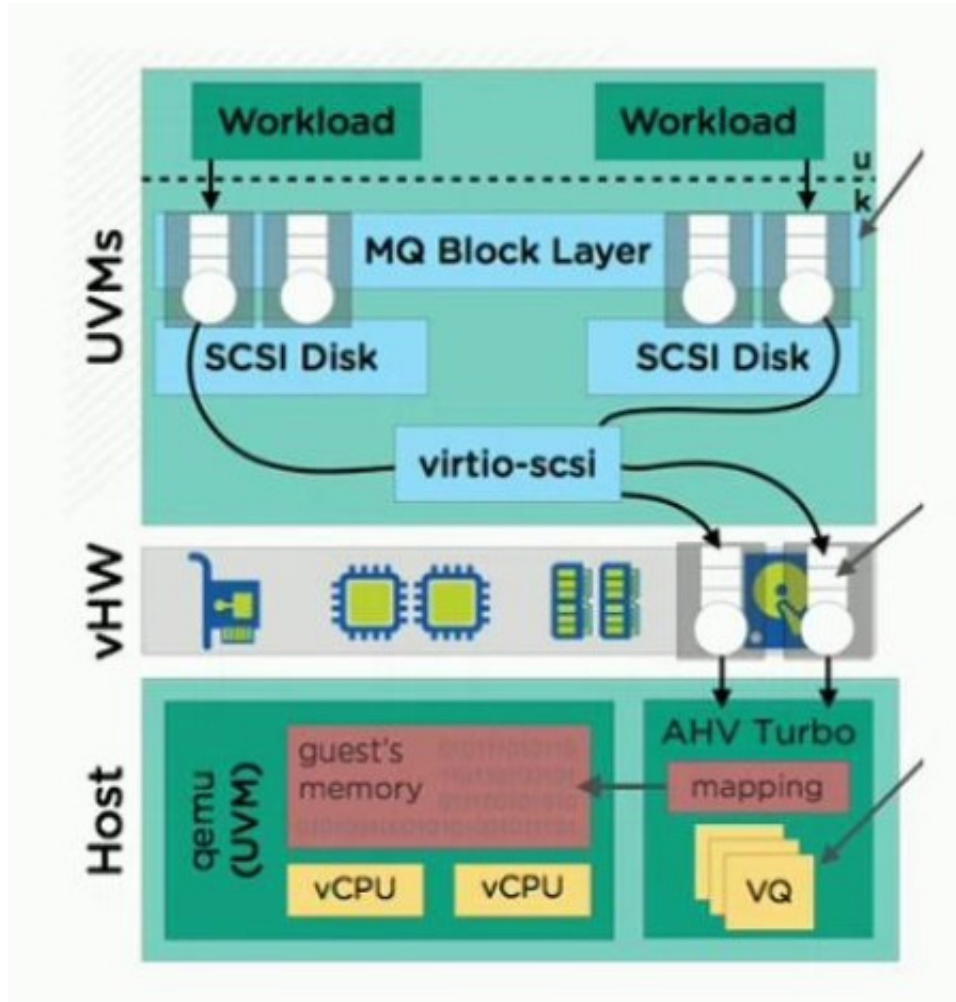
-  **Instant Download** After Purchase
-  **100% Money Back** Guarantee
-  **365 Days** Free Update
-  **800,000+** Satisfied Customers





QUESTION 1

Refer to the exhibit.



An administrator has an existing cluster and needs to improve performance using AHV Turbo. Which two items are required to achieve even greater performance? (Choose two.)

- A. Workloads are multi-threaded.
- B. VMs have one vCPU configured.
- C. VMs have multi-queue disabled.
- D. VMs have more than one vCPU.

Correct Answer: AD



AHV Turbo technology recommendations

AHV Turbo technology is transparent to the VMs, but you can achieve even greater performance if:

- The VM has multiqueue enabled. Consult your Linux distribution documentation to make sure that the guest operating system fully supports multiqueue before you enable it, as well as for instructions on how to enable it. One common method for enabling multiqueue is to add one of the following lines to the kernel command line:

```
scsi_mod.use_blk_mq=y
```

```
scsi_mod.use_blk_mq=1
```

- You have installed virtIO 1.1.2 or newer for Windows-based VMs. No additional configuration is required.
- The VM has more than one vCPU.
- The workloads are multi-threaded.

QUESTION 2

An administrator deploys Exchange on a Nutanix cluster. The administrator creates two containers with RF2 configuration:

One container for Exchange

One container for the other VMs

The Exchange VM is experiencing I/O performance issues.

Which changes to Storage Optimization should be used on the Exchange container to enhance I/O performance?

- A. No data reduction
- B. Post process Deduplication only
- C. Inline compression and EC-X
- D. Inline compression and Deduplication

Correct Answer: A

QUESTION 3

An administrator learns that some security settings in a cluster have been changed. The environment is out of compliance with required policies. Which function should be used to revert any settings that have changed from the defaults and prevent further violations?

- A. Cluster Lockdown with strong password enforcement
- B. Advanced Intrusion Detection Environment (AIDE)
- C. Security Configuration Management Automation (SCMA)
- D. Defense Information Systems Agency STIG enforcement

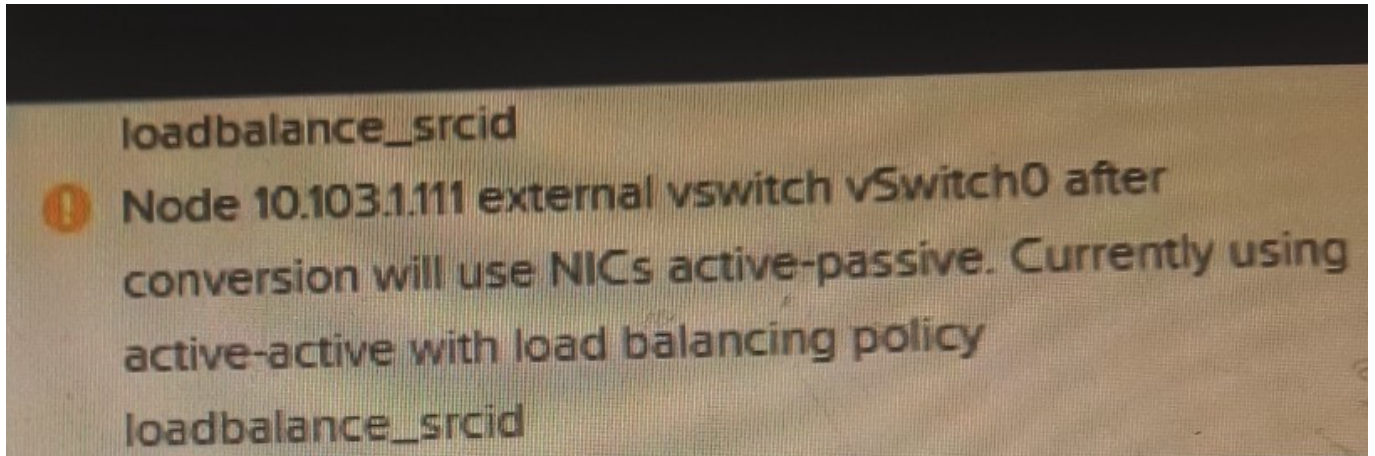


Correct Answer: C

Explanation: Ref: <http://myvirtualcloud.net/nutanix-scma-the-security-feature-that-could-save-your-organization/>

QUESTION 4

Refer to the exhibit.



An administrator receives the warning messages shown in the exhibit while validating cluster conversion from EXSi to AHV.

What should the administrator do to address this warning in vCenter Server?

- A. Keep active adapters of different speeds as active standby
- B. Remove adapters that are active but not homogeneous.
- C. Keep homogeneous adapters as active and standby
- D. Remove the standby adapters under Teaming and Failover.

Correct Answer: C

QUESTION 5

An administrator of a Nutanix Enterprise Cloud has microsegmentation enabled and a firewall VM installed. The security team notifies the administrator that one of the VMs hosted in the environment has been exhibiting suspect network activity. The administrator wants to isolate the VM from the production network, but must still be able to access it to perform diagnostics.

What should the administrator do to meet the requirement?

- A. Disable the vNIC on the affected VM
- B. Quarantine the VM using the Forensic Method
- C. Create a firewall rule that blocks VM traffic but permits diagnostic access



D. Create a security policy with a service chain directing that VMs traffic to the firewall VM

Correct Answer: B

Explanation: Ref <https://portal.nutanix.com/page/documents/kbs/details?targetId=kA00e000000LlElCAG>

Nutanix flow – Quarantine security policy

Quarantine policy in Nutanix flow is predefined and build into the product. You cannot modify it or change it or create a new quarantine policy.

Quarantine policy in Nutanix Flow has two methods:

- Forensic – VM cannot talk to anything in the network, except to the specific forensic tools configured in the policy
- Strict – VM cannot talk to anything in the network

[NCM-MCI-5.15 VCE Dumps](#)

[NCM-MCI-5.15 Practice Test](#)

[NCM-MCI-5.15 Braindumps](#)