



JN0-692^{Q&As}

Service Provider Routing and Switching Support, Professional

Pass Juniper JN0-692 Exam with 100% Guarantee

Free Download Real Questions & Answers **PDF** and **VCE** file from:

<https://www.pass4itsure.com/jn0-692.html>

100% Passing Guarantee
100% Money Back Assurance

Following Questions and Answers are all new published by Juniper
Official Exam Center

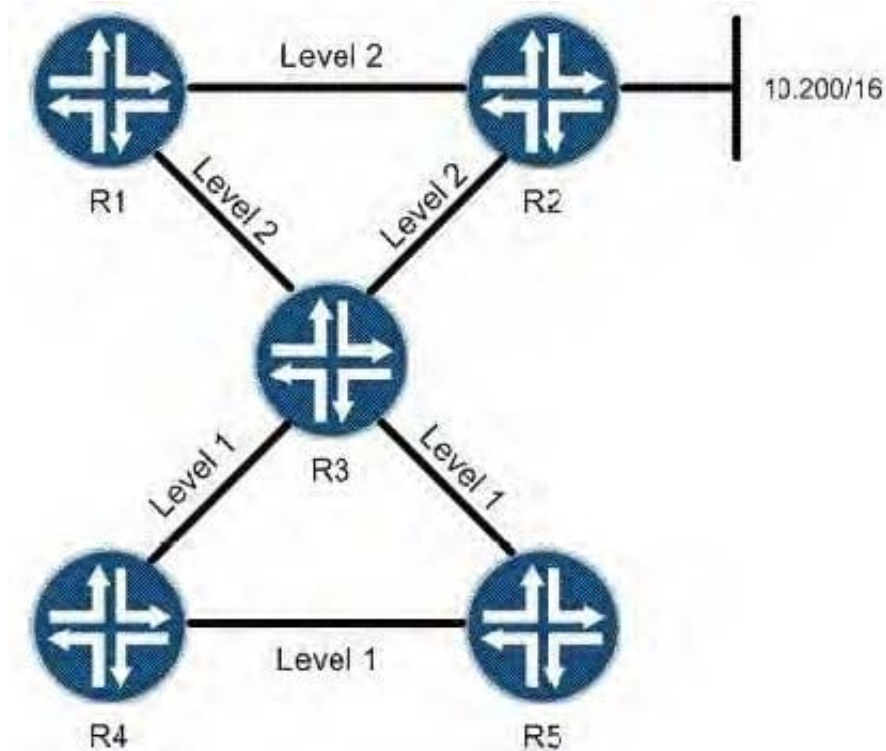
-  **Instant Download** After Purchase
-  **100% Money Back** Guarantee
-  **365 Days** Free Update
-  **800,000+** Satisfied Customers





QUESTION 1

Click the Exhibit button.



R2 is announcing the 10.200/16 network to its IS-IS neighbors. No routing policies have been applied to R3. Referring to the exhibit, will R5 have 10.200/16 as an IS-IS route?

- A. Yes; IS-IS level 2 externals are passed from level 2 to level 1 by default.
- B. No; IS-IS level 2 externals are only passed to level 1 if wide-metrics-only is configured on all routers.
- C. Yes; all level 2 routing information is shared throughout an IS-IS domain by default.
- D. No; IS-IS does not announce routes from level 2 to level 1 unless a routing policy is applied.

Correct Answer: D

QUESTION 2

Which statement is true regarding the no-propagate-ttl feature?

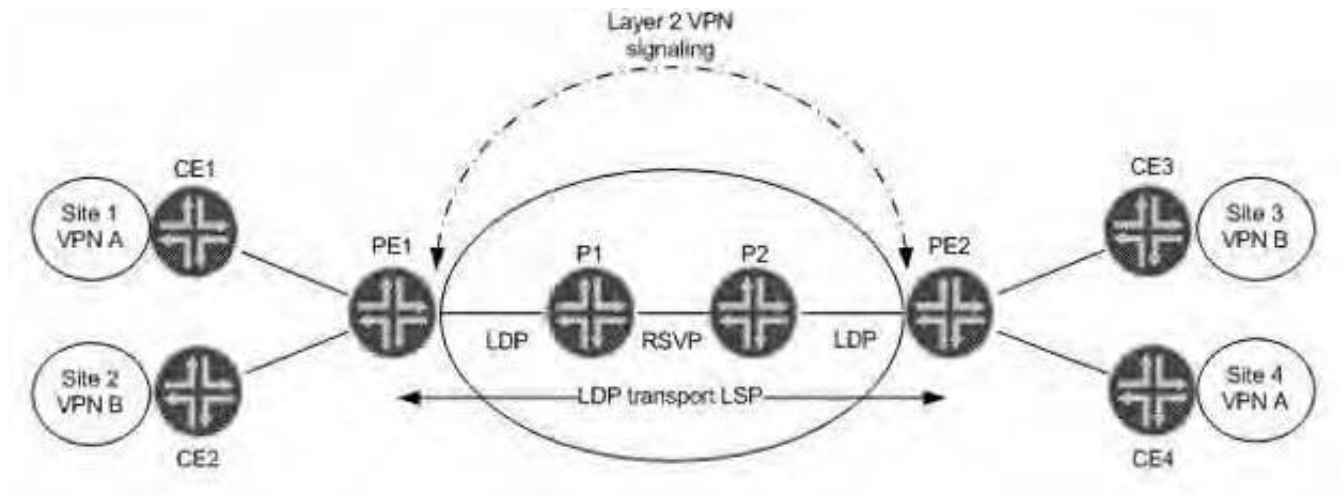
- A. Supported only by Junos devices
- B. Configured on every LSR
- C. Configured only on ingress LSR
- D. Supported only on RSVP LSPs



Correct Answer: B

QUESTION 3

Click the Exhibit button.



Referring to the exhibit, which statement is true assuming LDP VPN signaling?

- A. PE1 uses the label value received from PE2 for VPN B as the inner label for VPN B.
- B. PE2 uses the label value received from PE1 for VPN A as the transport label for VPN A.
- C. P1 uses the label value for VPN A advertised by PE1, because RSVP is enabled.
- D. PE1 uses the transport label value received for VPN A that is advertised by PE2 as the inner label for VPN A.

Correct Answer: A

QUESTION 4

Click the Exhibit button.



```
user@FE2> show route advertising-protocol bgp 192.168.3.1

customer-vpn.inet.0: 5 destinations, 5 routes (5 active, 0 holddown, 0 hidden)
  Prefix  Nexthop      MED    Lclpref   AS path
* 172.16.2.0/24      self          100      I
* 172.16.20.0/30     self          100      65001 I
* 172.16.20.4/30     self          100      65001 I
* 172.16.20.8/30     self          100      65001 I

user@FE1> show route advertising-protocol bgp 172.16.1.2

user@FE1> show route receive-protocol bgp 192.168.4.1

inet.0: 6 destinations, 6 routes (6 active, 0 holddown, 0 hidden)
customer-vpn.inet.0: 6 destinations, 6 routes (2 active, 0 holddown, 4 hidden)
iso.0: 1 destinations, 1 routes (1 active, 0 holddown, 0 hidden)
mpls.0: 3 destinations, 3 routes (3 active, 0 holddown, 0 hidden)
bgp.l3vpn.0: 4 destinations, 4 routes (0 active, 0 holddown, 4 hidden)
```

Customer A is complaining that routes advertised from the CE2 router are not being received on the CE1 router. The physical topology of the network is CE1-PE1-PE2-CE2. The CE1-PE1 subnet is 172.16.1.0/24. The CE2-PE2 subnet is 172.16.2.0/24. PE1's loopback is 192.168.3.1 and PE2's loopback is 192.168.4.1. Referring to the output in the exhibit, what is the problem?

- A. No LSP exists between PE1 and PE2.
- B. Route targets are not properly configured.
- C. as-override is not configured in the VRFs.
- D. family inet-vpn is not configured on the PEs.

Correct Answer: A

QUESTION 5

Which two configuration parameters are required to configure a BGP-signaled VPLS service? (Choose two.)

- A. vpls-id
- B. site-identifier
- C. route-distinguisher
- D. site-address

Correct Answer: BC



VCE & PDF

Pass4itSure.com

<https://www.pass4itsure.com/jn0-692.html>

2024 Latest pass4itsure JN0-692 PDF and VCE dumps Download

[JN0-692 PDF Dumps](#)

[JN0-692 VCE Dumps](#)

[JN0-692 Exam Questions](#)