



HPE6-A47^{Q&As}

Designing Aruba Solutions

Pass HP HPE6-A47 Exam with 100% Guarantee

Free Download Real Questions & Answers **PDF** and **VCE** file from:

<https://www.pass4itsure.com/hpe6-a47.html>

100% Passing Guarantee
100% Money Back Assurance

Following Questions and Answers are all new published by HP Official Exam Center

-  **Instant Download** After Purchase
-  **100% Money Back** Guarantee
-  **365 Days** Free Update
-  **800,000+** Satisfied Customers





QUESTION 1

An architect needs to plan a wireless deployment. The architect conducts a physical walkthrough, but still needs more information.

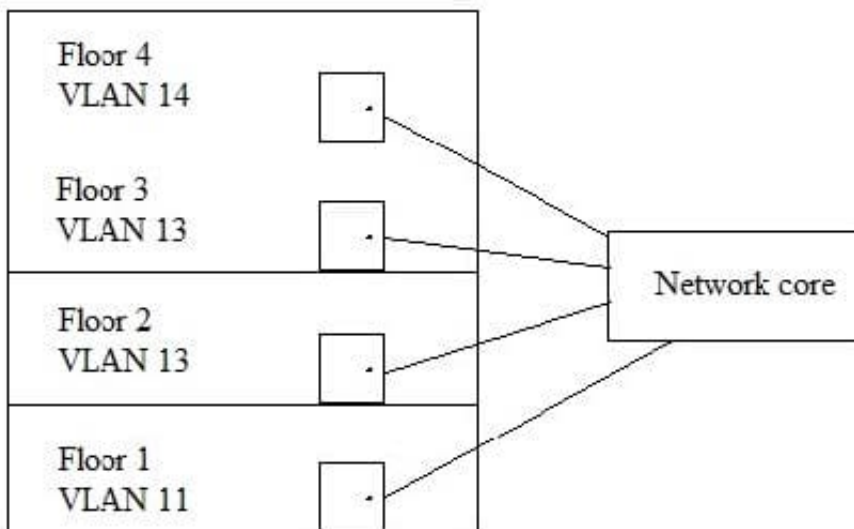
Which significant RF obstacle can be difficult to see visually and might require access to blueprints?

- A. fiberglass
- B. metal firewall
- C. ceiling tiles
- D. drywall

Correct Answer: A

QUESTION 2

Refer to the exhibit.



A customer needs to upgrade the wireless network at their campus, which has a single large building. Employees use the wireless network to access the Internet and centralized services. The building has four floors. These are the requirements: 30 APs on each floor A Mobility Master (MM)-based architecture Deployment of one Aruba 7030 Mobility Controller (MC) on each floor, with the MCs combined in a cluster for seamless client failover and roaming

What should the architect explain to the customer about the proposed solution?

- A. MCs should be deployed centrally on the same VLAN to better meet these goals
- B. MCs in a cluster must have additional AP licenses to support APs of a failed controller
- C. The MC 7030 does not support enough APs for the requirements

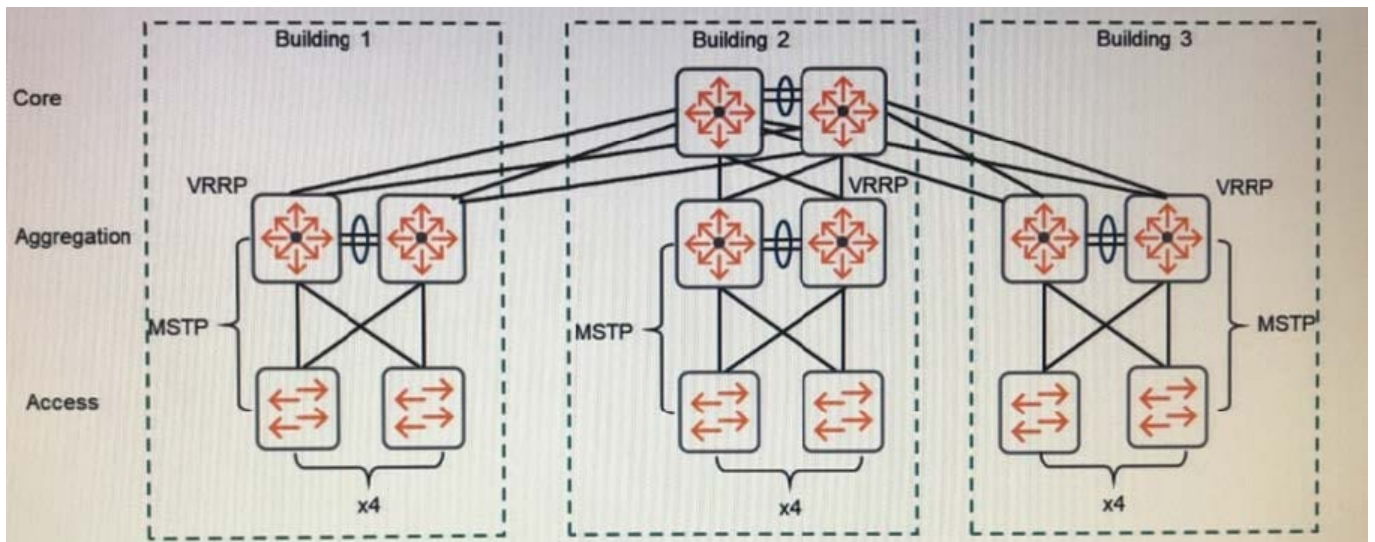


D. The MC 7030 only supports clusters with up to three members

Correct Answer: A

QUESTION 3

Refer to the exhibit.



A customer wants to replace the core and aggregation layer of an existing network. Currently the network routes between the aggregation layer and core, and uses the technologies shown in the exhibit.

The customer now wants to route at the core, instead of the aggregation layer, and extend some of the same VLANs in different buildings.

However, the customer cannot eliminate the aggregation layer at this point. What should the architect recommend?

- A. Create a backplane stack at the aggregation layer and a VSF fabric at the core.
- B. Implement broadcast filtering on switch-to-switch links across all of the buildings.
- C. Combine all switches in the aggregation layer and core into a single backplane stack.
- D. Use VRRP on the core and aggregation switches, with the aggregation switches acting as standby.

Correct Answer: C

QUESTION 4

The customer has an office environment with users who have laptops that can connect with wired or wireless. Users also bring one or two of their own devices. An architect creates a proposal with Aruba AP325s, 7210 Mobility Controllers (MCs), a Mobility Master (MM), and Aruba 2930M switches at the access layer to support the laptops and APs.

The architect plans to recommend 802.1X authentication without tunneled node on Aruba 2930M switch ports that connect to laptops.



What is one advantage of this form of authentication?

- A. ensures that Aruba firewall policies apply to wired user traffic.
- B. prevents users from connection attempts with more than three devices
- C. enables user access control and ensures only authorized users connect.
- D. provides a second layer of protection for wireless users at the internal perimeter

Correct Answer: C

QUESTION 5

A customer has a small office building that needs approximately 32 APs. The solution must support basic rogue AP detection and provide a stateful firewall with role-based policies. The customer would like the simplest, most cost-effective deployment that meets their needs.

What should the architect recommend?

- A. Aruba remote APs
- B. Aruba campus APs and a Virtual Mobility Controller
- C. Aruba Instant APs
- D. Aruba campus APs and an Aruba 7005 Mobility Controller

Correct Answer: D

[Latest HPE6-A47 Dumps](#)

[HPE6-A47 Practice Test](#)

[HPE6-A47 Study Guide](#)