



# 71801X<sup>Q&As</sup>

Avaya Messaging Support Certified Exam

**Pass Avaya 71801X Exam with 100% Guarantee**

Free Download Real Questions & Answers **PDF** and **VCE** file from:

<https://www.pass4itsure.com/71801x.html>

100% Passing Guarantee  
100% Money Back Assurance

Following Questions and Answers are all new published by Avaya  
Official Exam Center

-  **Instant Download** After Purchase
-  **100% Money Back** Guarantee
-  **365 Days** Free Update
-  **800,000+** Satisfied Customers





### QUESTION 1

Which two components are supported on Avaya IX™ Messaging Voice Server Node architecture? (Choose two.)

- A. Audio / FAX / ASR / TTS
- B. Transcription
- C. IIS Web Service
- D. Message Networking
- E. Content Sync Engine

Correct Answer: DE

---

### QUESTION 2

Which feature allows you to increase the security level of voicemail and faxes that are transferred via email by storing all the files on the local server?

- A. Email Action Schema
- B. Weblinks
- C. Automatic Speech Recognition (ASR)
- D. Speech Contacts

Correct Answer: B

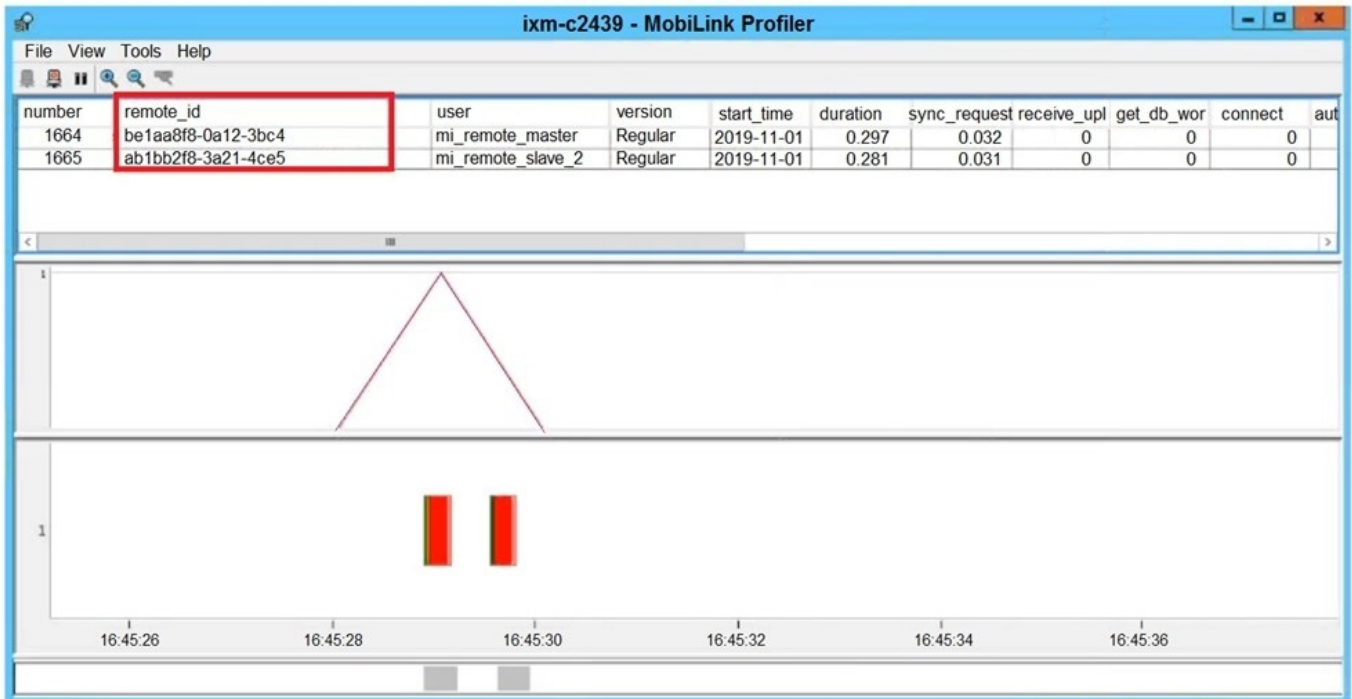
<https://downloads.avaya.com/css/P8/documents/101052209>

[http://www.esna.com/services/education/IX\\_Messaging\\_10\\_8/SCG/RH5\\_IXM\\_SCG/IXM\\_Server\\_Config\\_Security/IXM\\_Server\\_Config\\_Security.htm](http://www.esna.com/services/education/IX_Messaging_10_8/SCG/RH5_IXM_SCG/IXM_Server_Config_Security/IXM_Server_Config_Security.htm)

---

### QUESTION 3

Refer to the Exhibit.



The exhibit shows the healthy server with data synch working between the Consolidated server and the voice server node. What does Remote\_id stand for?

- A. The unique ID for each voice server node which is successfully synchronizing data from Primary server
- B. The unique ID for each voice server node which is added in a High Availability solution
- C. The unique ID for Consolidated server which is successfully synchronizing data from voice server
- D. The unique ID for each voice server node which is successfully synchronizing data from Consolidated server

Correct Answer: A

#### QUESTION 4

In Avaya IX™ Messaging High Availability installations, on which servers are TLS configurations to be applied to secure the communication with the PBX(s)?

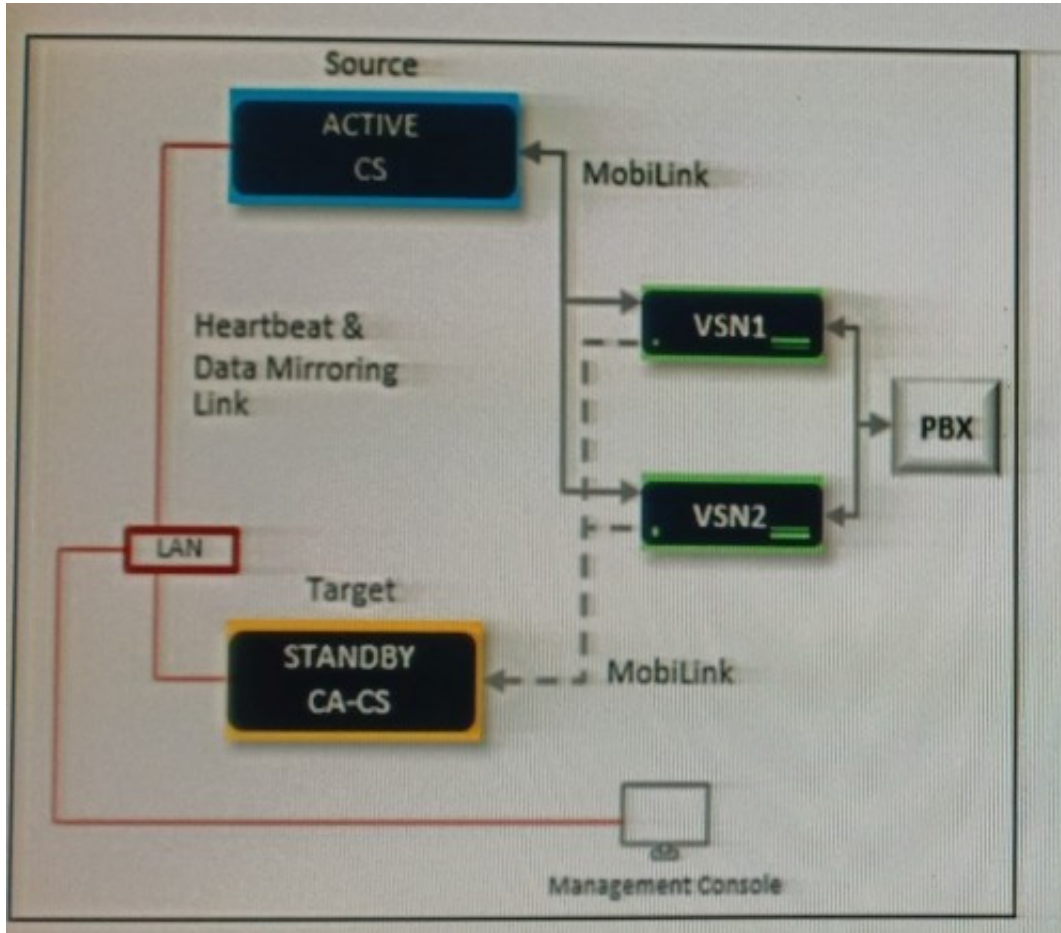
- A. Primary server only
- B. Primary server and all Secondary servers
- C. Primary server and Consolidated server
- D. Consolidated server only

Correct Answer: B

[http://www.esna.com/services/education/IX\\_Messaging\\_10\\_8/SIG/RH5\\_IXM\\_SIG/IXM\\_Server\\_Install\\_Guide\\_TLS/IXM\\_Server\\_Install\\_Guide\\_TLS.htm](http://www.esna.com/services/education/IX_Messaging_10_8/SIG/RH5_IXM_SIG/IXM_Server_Install_Guide_TLS/IXM_Server_Install_Guide_TLS.htm)

**QUESTION 5**

Refer to the exhibit.



What is illustrated in the exhibit?

- A. VSN Architecture for Disaster Recovery
- B. Carbonite availability of the Consolidated Server for Disaster Recovery
- C. Two consolidated servers in the active-active mode
- D. A Management Console allowing Avaya IXTM Messaging moves, adds, and changes

Correct Answer: A

[Latest 71801X Dumps](#)

[71801X PDF Dumps](#)

[71801X Exam Questions](#)