



# 71801X<sup>Q&As</sup>

Avaya Messaging Support Certified Exam

**Pass Avaya 71801X Exam with 100% Guarantee**

Free Download Real Questions & Answers **PDF** and **VCE** file from:

<https://www.pass4itsure.com/71801x.html>

100% Passing Guarantee  
100% Money Back Assurance

Following Questions and Answers are all new published by Avaya  
Official Exam Center

-  **Instant Download** After Purchase
-  **100% Money Back** Guarantee
-  **365 Days** Free Update
-  **800,000+** Satisfied Customers





### QUESTION 1

If there are data sync issues between the CS and the VSNs, which log folder you would look into?

- A. IX-Messaging Install drive > UC > IX > Logs
- B. IX-Messaging Install drive > UC > Logs
- C. IX-Messaging Install drive > UC > DB > Logs
- D. IX-Messaging Install drive > UC > Logs > DB

Correct Answer: C

---

### QUESTION 2

Which version of Avaya IXTM Messaging is able to send SNMP alarms to an SAL gateway?

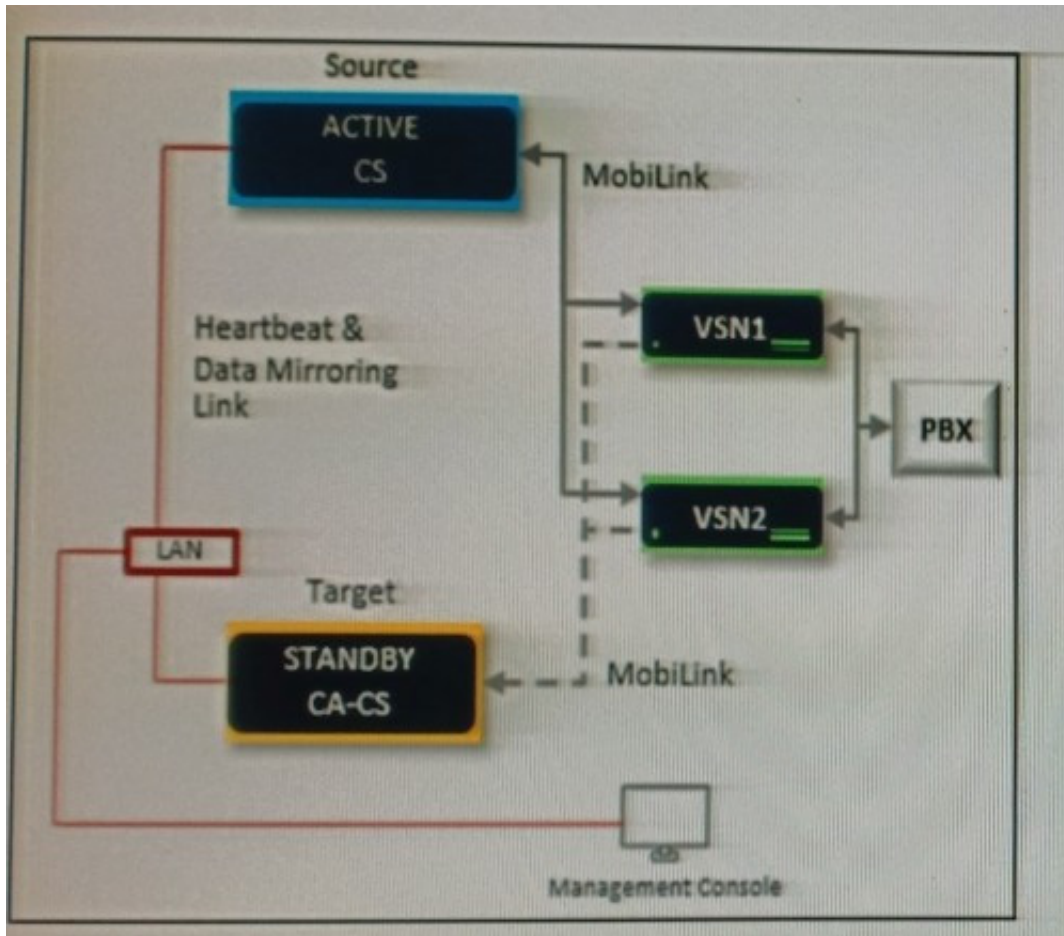
- A. 10.8
- B. 10.7
- C. 10.6
- D. 10.5

Correct Answer: A

---

### QUESTION 3

Refer to the exhibit.



What is illustrated in the exhibit?

- A. VSN Architecture for Disaster Recovery
- B. Carbonite availability of the Consolidated Server for Disaster Recovery
- C. Two consolidated servers in the active-active mode
- D. A Management Console allowing Avaya IXTM Messaging moves, adds, and changes

Correct Answer: A

#### QUESTION 4

In CTI, which parameter allows a caller's records to be retrieved from the database while the call is forwarded to the appropriate party?

- A. Calling Number Delivery (CND)
- B. Calling Line Identification (CLID)
- C. Dialed Number Identification (DNIS)
- D. Automatic Number Identification (ANI)



Correct Answer: C

---

#### QUESTION 5

In which two places is web access for a user enabled in an Avaya IXTM Messaging solution? (Choose two.)

- A. In the Mailbox configuration
- B. In the SIP configuration tool
- C. In the Feature Group configuration
- D. On the VSNs

Correct Answer: AB

[http://www.esna.com/services/education/Web\\_Access/1/#t=Web\\_Access\\_Help%2FIXM\\_Client\\_Applications\\_Guide\\_Web\\_Access%2FIXM\\_Client\\_Applications\\_Guide\\_Web\\_Access.htm](http://www.esna.com/services/education/Web_Access/1/#t=Web_Access_Help%2FIXM_Client_Applications_Guide_Web_Access%2FIXM_Client_Applications_Guide_Web_Access.htm)

[Latest 71801X Dumps](#)

[71801X Practice Test](#)

[71801X Exam Questions](#)