



# 4A0-N01<sup>Q&As</sup>

Nuage Networks Virtualized Cloud Services (VCS) Fundamentals

## Pass Nokia 4A0-N01 Exam with 100% Guarantee

Free Download Real Questions & Answers **PDF** and **VCE** file from:

<https://www.pass4itsure.com/4a0-n01.html>

100% Passing Guarantee  
100% Money Back Assurance

Following Questions and Answers are all new published by Nokia  
Official Exam Center

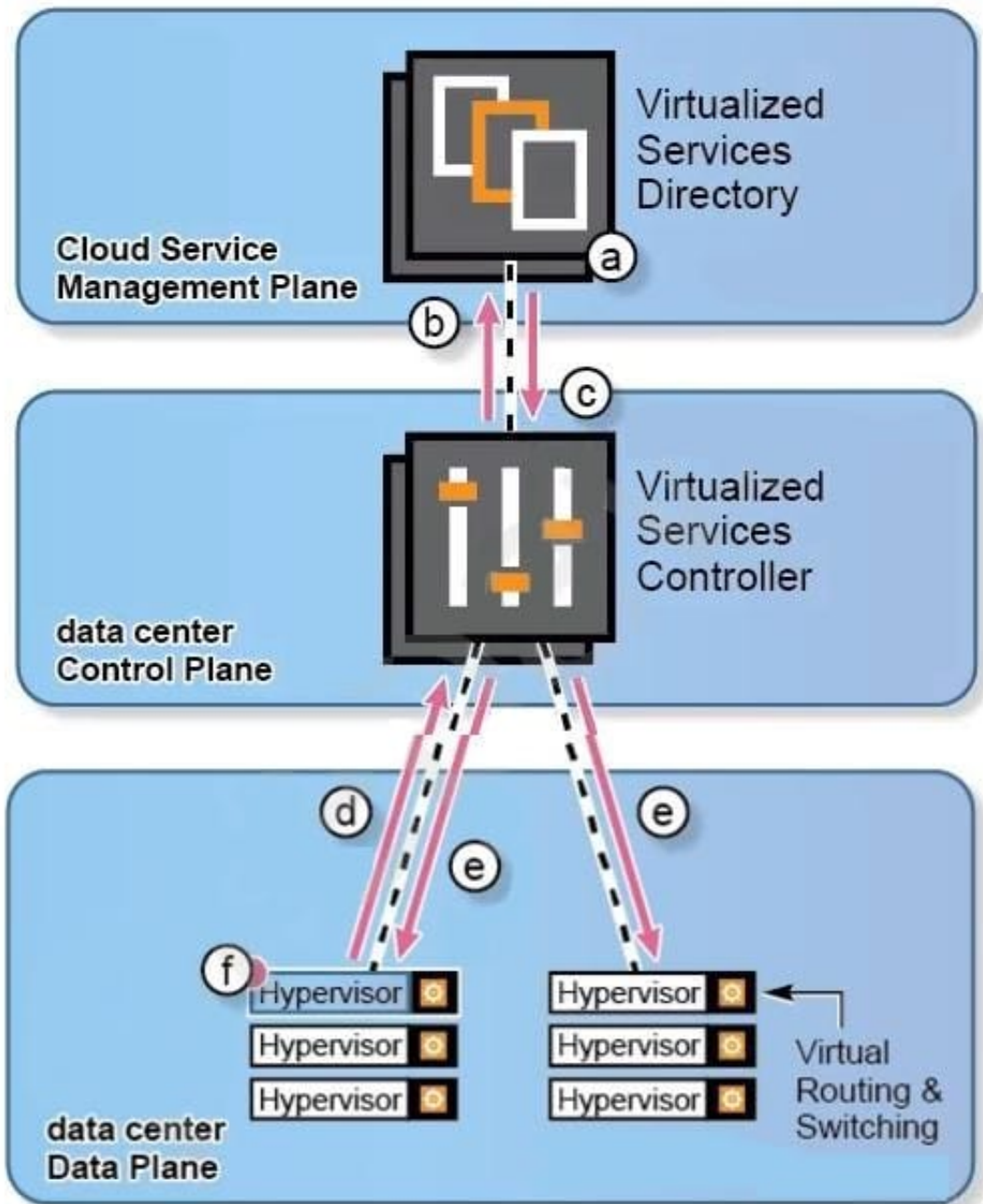
-  **Instant Download** After Purchase
-  **100% Money Back** Guarantee
-  **365 Days** Free Update
-  **800,000+** Satisfied Customers





### QUESTION 1

Refer to the diagram. Which statement is describing a step incorrectly?



- A. Step a, which consists of defining network domain and policy templates on VSD, must be performed first in all situations.
- B. Step d, which refers to the VRS agent informing the VSC of the placement of a new VM, is triggered by step f in which the VM is instantiated on a hypervisor.
- C. Step b, in which the VSC queries VSD on network service and policies required for a new VM, is triggered either by API calls from the CMS or by manual configuration.



D. Step e, in which the forwarding tables are deployed, consists of the VSC sending them not only to the VRS agent hosting the new VM, but to all applicable VRS agents.

Correct Answer: D

---

## QUESTION 2

Which of the following is NOT Nuage Networks metadata required when creating a virtual machine?

- A. Enterprise
- B. Subnet
- C. VLAN ID
- D. User

Correct Answer: C

Reference: <https://nuagenetworks.github.io/2016/03/25/Migrating-ESXi-Workloads-to-Nuage.html>

---

## QUESTION 3

What statement is FALSE regarding the forwarding policies used in VCS for traffic redirection (also known as service chaining)?

- A. Forwarding policies can be applied to either ingress or egress traffic.
- B. Redirection targets should be created in advance and associated with vPorts.
- C. Redirection targets cannot be associated with host vPorts (physical appliances).
- D. A forwarding policy can be created in an active domain or be instantiated from a template.

Correct Answer: D

Reference:

<https://www.nuagenetworks.net/wp-content/uploads/2020/06/>

Nuage\_Networks\_Service\_Chaining\_Technical\_Description\_Document\_EN-compressed.pdf

---

## QUESTION 4

What does VSD stand for?

- A. Virtualized Services Description
- B. Virtualized Services Definition



- C. Virtualized Services Domain
- D. Virtualized Services Directory

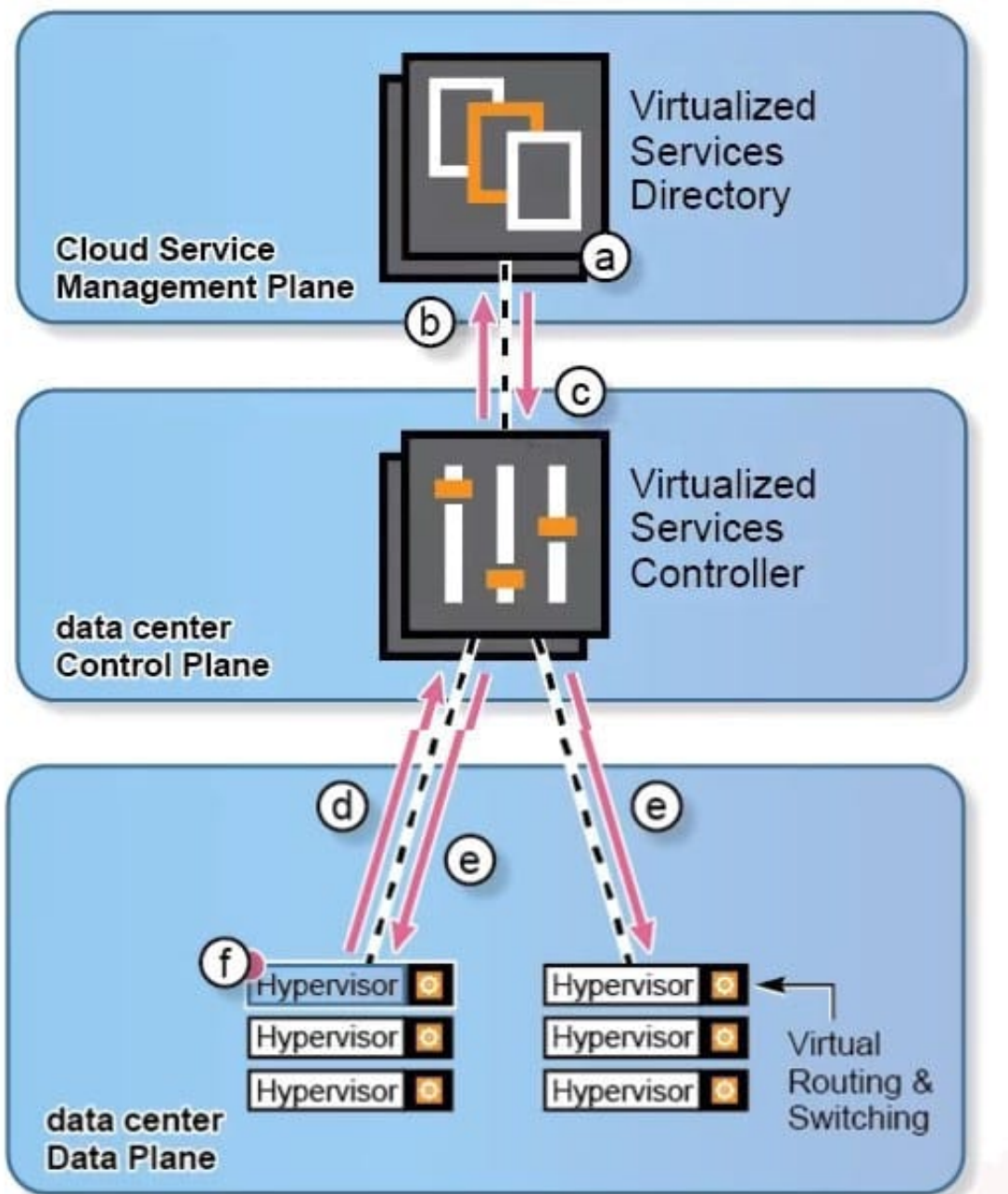
Correct Answer: D

Nuage Virtual Service Directory (VSD)

Reference: <https://matscloud.blogspot.com/2017/06/nuage-networks-vsp-deep-dive.html>

### QUESTION 5

Refer to the diagram.





What is the correct sequence of events for a VM to be instantiated, and for its required network connectivity to be created with the Nuage VCS solution?

a.

Network domain and policy templates are defined on VSD.

b.

VSC queries VSD on network service and policies.

c.

VSD provides VSC with network service and policies.

d.

VRS agent informs VSC of the new VM placement.

e.

VSC deploys policy to applicable VRS agents.

f.

VM instantiated on the hypervisor.

A.

a->b->c->d->e->f

B.

a->b->c->f->d->e

C.

a->f->d->b->c->e

D.

f->d->b->a->c->e

Correct Answer: D