



352-001^{Q&As}

CCDE Written Exam

Pass Cisco 352-001 Exam with 100% Guarantee

Free Download Real Questions & Answers **PDF** and **VCE** file from:

<https://www.pass4itsure.com/352-001.html>

100% Passing Guarantee
100% Money Back Assurance

Following Questions and Answers are all new published by Cisco
Official Exam Center

-  **Instant Download** After Purchase
-  **100% Money Back** Guarantee
-  **365 Days** Free Update
-  **800,000+** Satisfied Customers





QUESTION 1

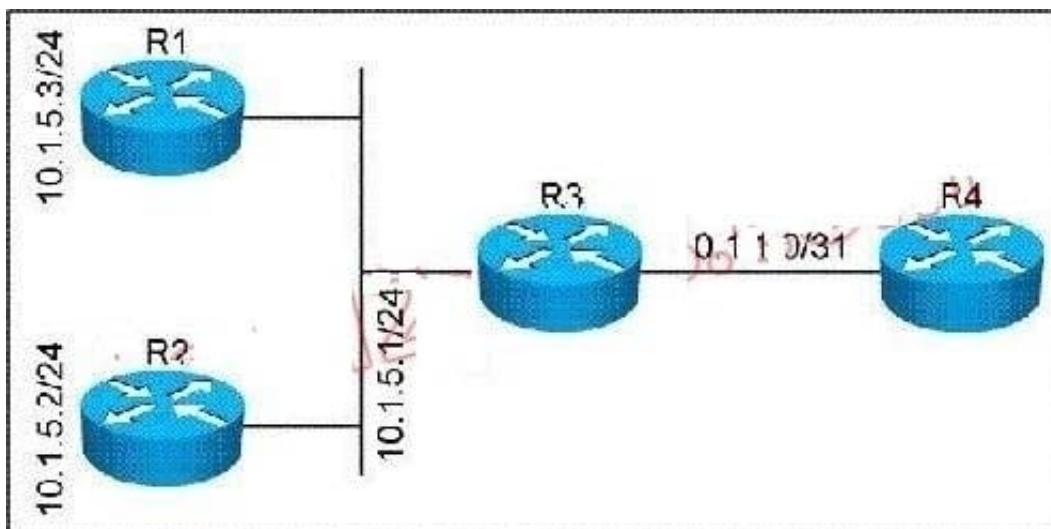
Which statement is correct about route reflector design?

- A. Route reflectors should be placed to find the best exit point from the AS.
- B. The EIGRP unequal cost, load-balancing characteristic facilitates route reflector placement.
- C. Route reflectors should not be placed on the data path.
- D. Route reflectors help find the closest exits from the AS.

Correct Answer: C

QUESTION 2

Refer to the exhibit.



All routers in this network are configured to place all interfaces in OSPF area 5. R3 is the designated router on the 10.1.5.0/24 network. If you examine the OSPF database on R4, what would the network (type 2) LSA, generated by R3, contain?

- A. a connection to 10.1.5.0/24 and links to R3, R2, and R1
- B. a connection to 10.1.5.0/24 and links to R2 and R1
- C. connections to 10.1.5.0/24 and 10.1.1.0/31
- D. no connections, R3 does not generate a network (type 2) LSA in this network

Correct Answer: A

QUESTION 3



Guaranteed success with TestInsides practice guides 99 Which statement about the behavior of OSPF on a hub-and-spoke topology is true?

- A. Additional host routes are added to the routing table on a NBMA network type.
- B. The DR and BDR election occurs regardless of the underlying OSPF network type.
- C. The DR election is a challenge unless a point-to-point network type is used.
- D. Traffic does not need to traverse the hub to reach the spokes.

Correct Answer: C

QUESTION 4

On a VoIP solution design, which option shows one-way latency, packet loss, and jitter measurements that ensure acceptable voice quality?

- A. Latency: 110 ms Packet loss: 1% Jitter: 40 ms
- B. Latency: 130 ms Packet loss: 0.5% Jitter: 30 ms
- C. Latency: 150 ms Packet loss: 1.25% Jitter: 20 ms
- D. Latency: 170 ms Packet loss: 0.75% Jitter: 10 ms

Correct Answer: B

QUESTION 5

What are two benefits of using BFD for failure detection in the design of a network? (Choose two.)

- A. BFD can provide failure detection in less than one second.
- B. BFD can be used as a generic and consistent failure detection mechanism for EIGRP, IS-IS, and OSPF.
- C. BFD eliminates router protocol hello notification.
- D. BFD can be used for all types of network interfaces.
- E. BFD is independent of the network protocol.

Correct Answer: AB